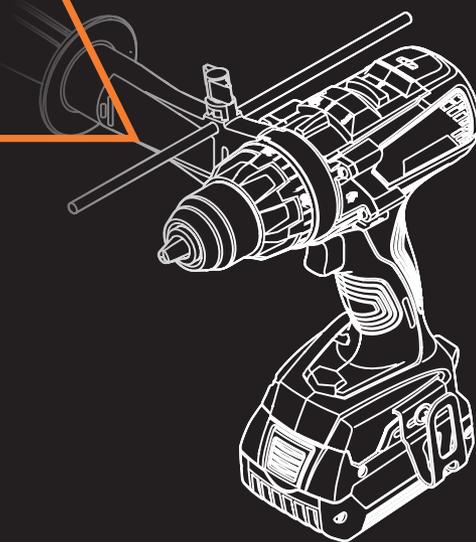


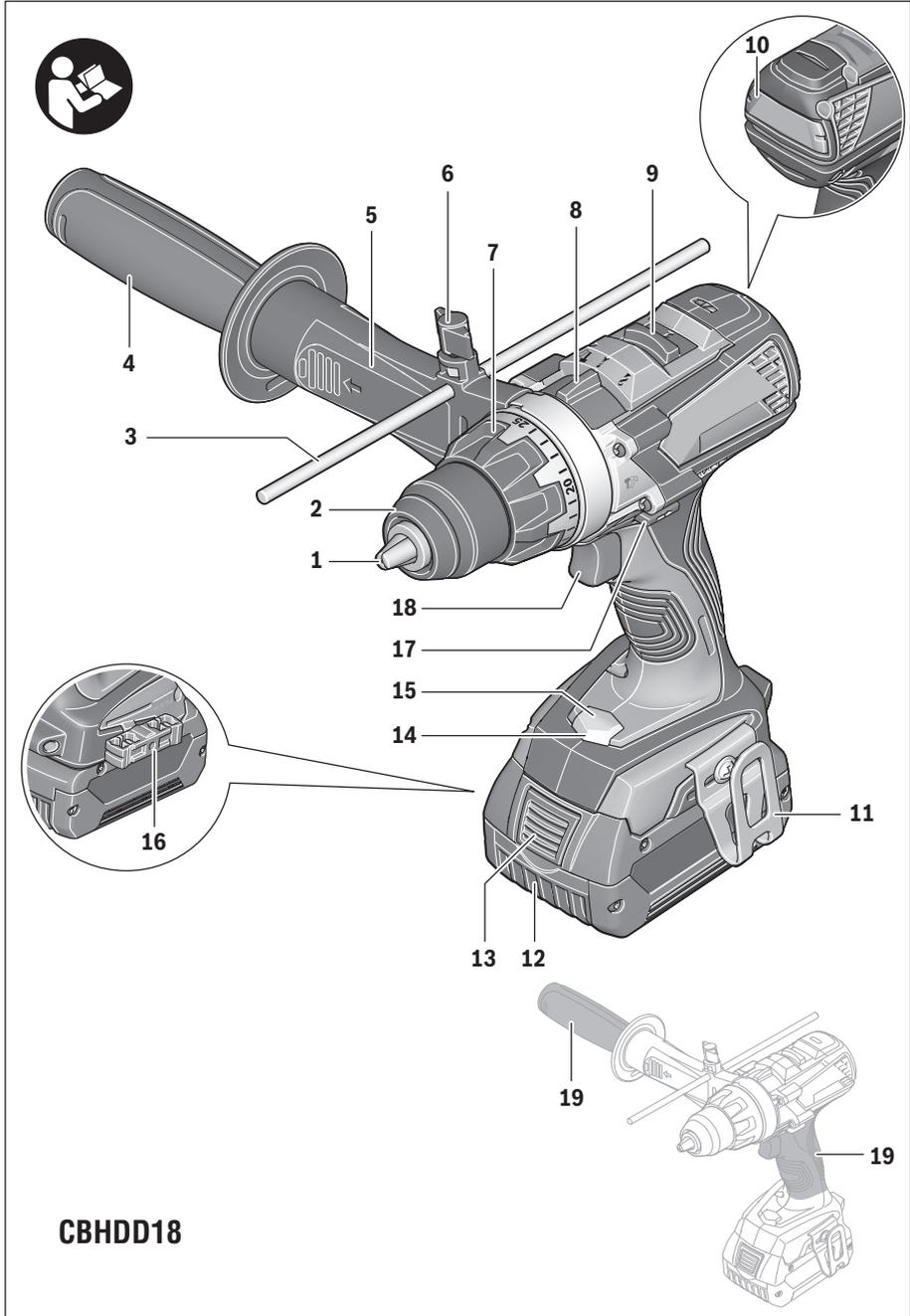
18V Hammer Drill / Driver

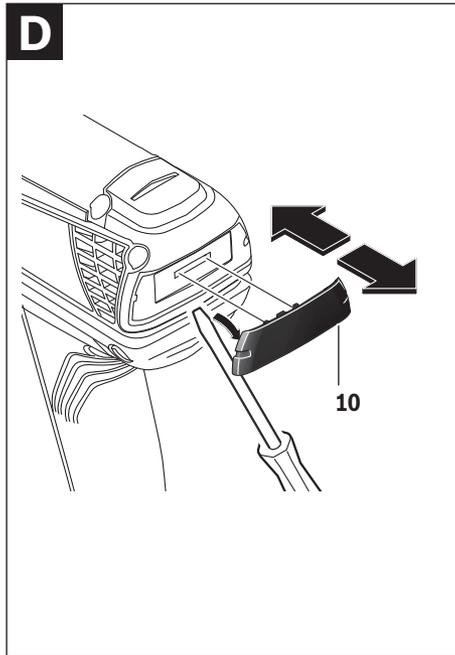
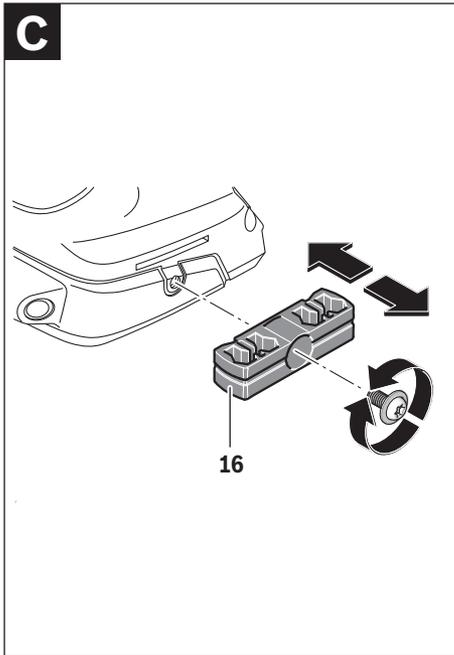
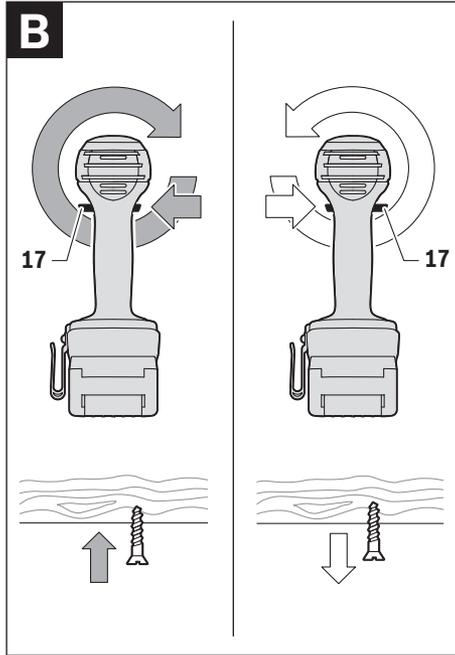
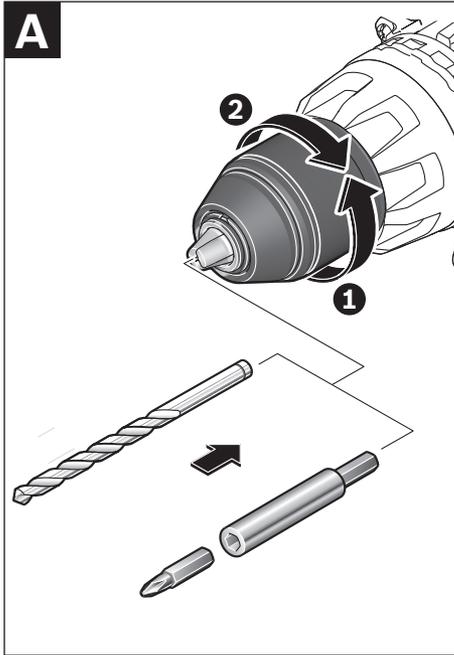
Owners **Manual**

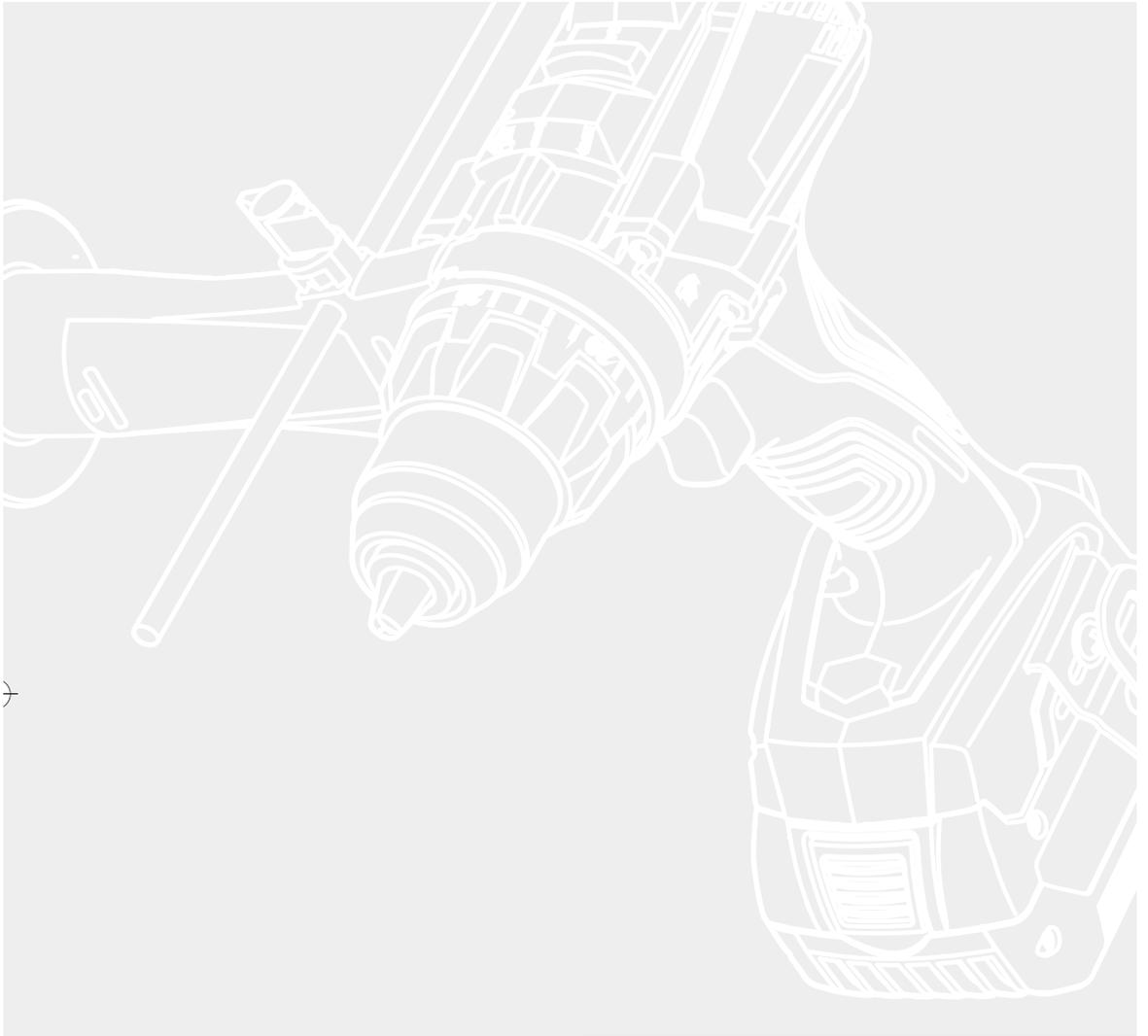


BRUSHLESS / 

 **Ramset™**







Safety Notes

General Power Tool Safety Warnings

 **WARNING** Read all safety warnings and all instructions. Failure to follow the warnings and instructions may result in electric shock, fire and/or serious injury.

Save all warnings and instructions for future reference.

The term “power tool” in the warnings refers to your mains-operated (corded) power tool or battery-operated (cordless) power tool.

Work area safety

- ▶ **Keep work area clean and well lit.** Cluttered or dark areas invite accidents.
- ▶ **Do not operate power tools in explosive atmospheres, such as in the presence of flammable liquids, gases or dust.** Power tools create sparks which may ignite the dust or fumes.
- ▶ **Keep children and bystanders away while operating a power tool.** Distractions can cause you to lose control.

Electrical safety

- ▶ **Power tool plugs must match the outlet. Never modify the plug in any way. Do not use any adapter plugs with earthed (grounded) power tools.** Unmodified plugs and matching outlets will reduce risk of electric shock.
- ▶ **Avoid body contact with earthed or grounded surfaces, such as pipes, radiators, ranges and refrigerators.**
There is an increased risk of electric shock if your body is earthed or grounded.
- ▶ **Do not expose power tools to rain or wet conditions.**
Water entering a power tool will increase the risk of electric shock.
- ▶ **Do not abuse the cord. Never use the cord for carrying, pulling or unplugging the power tool. Keep cord away from heat, oil, sharp edges or moving parts.** Damaged or entangled cords increase the risk of electric shock.
- ▶ **When operating a power tool outdoors, use an extension cord suitable for outdoor use.** Use of a cord suitable for outdoor use reduces the risk of electric shock.
- ▶ **If operating a power tool in a damp location is unavoidable, use a residual current device (RCD) protected supply.** Use of an RCD reduces the risk of electric shock.

Personal safety

- ▶ **Stay alert, watch what you are doing and use common sense when operating a power tool. Do not use a power tool while you are tired or under the influence of drugs, alcohol or medication.** A moment of inattention while operating power tools may result in serious personal injury.
- ▶ **Use personal protective equipment. Always wear eye protection.** Protective equipment such as dust mask, non-skid safety shoes, hard hat, or hearing protection used for appropriate conditions will reduce personal injuries.
- ▶ **Prevent unintentional starting. Ensure the switch is in the off-position before connecting to power source and/or battery pack, picking up or carrying the tool.**
Carrying power tools with your finger on the switch or energising power tools that have the switch on invites accidents.
- ▶ **Remove any adjusting key or wrench before turning the power tool on.** A wrench or a key left attached to a rotating part of the power tool may result in personal injury.
- ▶ **Do not overreach. Keep proper footing and balance at all times.** This enables better control of the power tool in unexpected situations.

- ▶ **Dress properly. Do not wear loose clothing or jewellery. Keep your hair, clothing and gloves away from moving parts.** Loose clothes, jewellery or long hair can be caught in moving parts.
- ▶ **If devices are provided for the connection of dust extraction and collection facilities, ensure these are connected and properly used.** Use of dust collection can reduce dust-related hazards.

Power tool use and care

- ▶ **Do not force the power tool. Use the correct power tool for your application.** The correct power tool will do the job better and safer at the rate for which it was designed.
- ▶ **Do not use the power tool if the switch does not turn it on and off.** Any power tool that cannot be controlled with the switch is dangerous and must be repaired.
- ▶ **Disconnect the plug from the power source and/or the battery pack from the power tool before making any adjustments, changing accessories, or storing power tools.** Such preventive safety measures reduce the risk of starting the power tool accidentally.
- ▶ **Store idle power tools out of the reach of children and do not allow persons unfamiliar with the power tool or these instructions to operate the power tool.** Power tools are dangerous in the hands of untrained users.
- ▶ **Maintain power tools. Check for misalignment or binding of moving parts, breakage of parts and any other condition that may affect the power tool's operation. If damaged, have the power tool repaired before use.** Many accidents are caused by poorly maintained power tools.
- ▶ **Keep cutting tools sharp and clean.** Properly maintained cutting tools with sharp cutting edges are less likely to bind and are easier to control.
- ▶ **Use the power tool, accessories and tool bits etc. in accordance with these instructions, taking into account the working conditions and the work to be performed.** Use of the power tool for operations different from those intended could result in a hazardous situation.

Battery tool use and care

- ▶ **Recharge only with the charger specified by the manufacturer.** A charger that is suitable for one type of battery pack may create a risk of fire when used with another battery pack.
- ▶ **Use power tools only with specifically designated battery packs.** Use of any other battery packs may create a risk of injury and fire.
- ▶ **When battery pack is not in use, keep it away from other metal objects, like paper clips, coins, keys, nails, screws or other small metal objects, that can make a connection from one terminal to another.** Shorting the battery terminals together may cause burns or a fire.
- ▶ **Under abusive conditions, liquid may be ejected from the battery; avoid contact. If contact accidentally occurs, flush with water. If liquid contacts eyes, additionally seek medical help.** Liquid ejected from the battery may cause irritation or burns.

Service

- ▶ **Have your power tool serviced by the Ramset National Service Centre using only identical replacement parts.** This will ensure that the safety of the power tool is maintained.

Safety Warnings for Drills and Screwdrivers

- ▶ **Wear ear protectors when impact drilling.** Exposure to noise can cause hearing loss.
- ▶ **Hold power tool by insulated gripping surfaces when performing an operation where the cutting accessory or fastener may contact hidden wiring.** Cutting accessory and fasteners contacting a "live" wire may make exposed metal parts of the power tool "live" and could give the operator an electric shock.
- ▶ **Use auxiliary handle(s), if supplied with the tool.** Loss of control can cause personal injury.
- ▶ **Use appropriate detectors to determine if utility lines are hidden in the work area or call the local utility company for assistance.** Contact with electric lines can lead to fire and electric shock. Damaging a gas line can lead to explosion. Penetrating a water line causes property damage.
- ▶ **Switch off the power tool immediately when the tool insert jams. Be prepared for high reaction torque that can cause kickback.** The tool insert jams when:
 - the power tool is subject to overload or
 - it becomes wedged in the workpiece.
- ▶ **Hold the machine with a firm grip.** High reaction torque can briefly occur while driving in and loosening screws.
- ▶ **When working with the machine, always hold it firmly with both hands and provide for a secure stance.** The power tool is guided more secure with both hands.
- ▶ **Secure the workpiece.** A workpiece clamped with clamping devices or in a vice is held more secure than by hand.
- ▶ **Always wait until the machine has come to a complete stop before placing it down.** The tool insert can jam and lead to loss of control over the power tool.
- ▶ **Do not open the battery.** Danger of short-circuiting.



Protect the battery against heat, e. g., against continuous intense sunlight, fire, water, and moisture. Danger of explosion.



- ▶ **In case of damage and improper use of the battery, vapours may be emitted. Ventilate the area and seek medical help in case of complaints.** The vapours can irritate the respiratory system.
- ▶ **Use the battery only in conjunction with your Ramset power tool.** This measure alone protects the battery against dangerous overload.
- ▶ **The battery can be damaged by pointed objects such as nails or screwdrivers or by force applied externally.** An

internal short circuit can occur and the battery can burn, smoke, explode or overheat.

- ▶ **The battery is supplied partially charged. To ensure full battery capacity, completely charge the battery in the battery charger before using for the first time.**
- ▶ **Read the operating instructions of the battery charger.**
- ▶ **Adjust the gear switch only when the machine is at a complete stop.**
- ▶ **Always push the gear selector and turn the operating mode selector switch through to the stop.** Otherwise, the machine can become damaged.
- ▶ **Before any work on the machine (e. g., maintenance, tool change, etc.) as well as during transport and storage, set the rotational direction switch to the centre position.** Unintentional actuation of the On/Off switch can lead to injuries.

Product Description and Specifications



Read all safety warnings and all instructions. Failure to follow the warnings and instructions may result in electric shock, fire and/or serious injury.

While reading the operating instructions, unfold the graphics page for the machine and leave it open.

Intended Use

The machine is intended for driving in and loosening screws as well as for drilling in wood, metal, ceramics and plastic. This machine is additionally intended for impact drilling in bricks, brickwork and masonry.

The light of this power tool is intended to illuminate the power tool's direct area of working operation and is not suitable for household room illumination.

Product Features

The numbering of the product features refers to the illustration of the machine on the graphics page.

- 1 Tool holder
- 2 Keyless chuck
- 3 Depth stop
- 4 Auxiliary handle (insulated gripping surface)
- 5 Intermediate piece of auxiliary handle
- 6 Wing bolt for depth stop adjustment
- 7 Torque presetting ring
- 8 Mode selector switch
- 9 Gear selector
- 10 Colour clip
- 11 Belt clip
- 12 Battery pack
- 13 Battery unlocking button
- 14 Worklight
- 15 Overload protector indicator

- 16 Universal bit holder*
- 17 Rotational direction switch
- 18 On/Off switch

- 19 Handle (insulated gripping surface)
- *Accessories shown or described are not part of the standard delivery scope of the product. A complete overview of accessories can be found in our accessories program.

Technical Data

Cordless Drill/Driver		CBHDD18
Rated voltage	V=	18
No-load speed		
- 1st gear	min ⁻¹	0-480
- 2nd gear	min ⁻¹	0-2100
Impact rate	min ⁻¹	0-31500
Max. torque for soft screwdriving application according to ISO 5393	Nm	47*
Maximum torque, hard screwdriving application according to ISO 5393	Nm	75*
Maximum drilling diameter (1st/2nd gear)		
- Wood	mm	82
- Steel	mm	13
- Brickwork	mm	16
Tool holder		1.5 - 13
Max. screw dia.	mm	12
Weight according to EPTA-Procedure 01:2014	kg	2,3 - 2,8*
Permitted ambient temperature		
- during charging**	°C	0... +45
- during operation** and during storage	°C	-20... +50
Recommended batteries		CBBAT18...
Recommended chargers		CBCHR18

*depending on the battery pack being used

** limited performance at temperatures <0 °C

Noise/Vibration Information

Sound emission values determined according to EN 60745-2-1, EN 60745-2-2.

Wear hearing protection!

Vibration total values a_h (triax vector sum) and uncertainty K determined according to EN 60745-2-1, EN 60745-2-2.

Drilling in metal:

a_h	m/s^2	2.5
K	m/s^2	1.5

Impact drilling in concrete:

a_h	m/s^2	12.5
K	m/s^2	1.5

Screws:

a_h	m/s^2	< 2.5
K	m/s^2	1.5

The vibration level given in this information sheet has been measured in accordance with a standardised test given in EN 60745 and may be used to compare one tool with another. It may be used for a preliminary assessment of exposure. The declared vibration emission level represents the main applications of the tool. However if the tool is used for different applications, with different accessories or insertion tools or is poorly maintained, the vibration emission may differ. This may significantly increase the exposure level over the total working period.

An estimation of the level of exposure to vibration should also take into account the times when the tool is switched off or when it is running but not actually doing the job. This may significantly reduce the exposure level over the total working period.

Identify additional safety measures to protect the operator from the effects of vibration such as: maintain the tool and the accessories, keep the hands warm, organisation of work patterns.

Assembly

Battery Charging

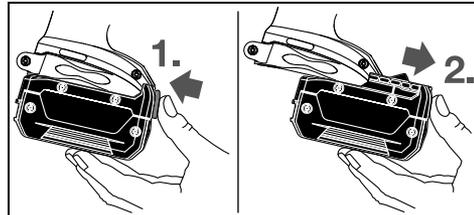
Note: The battery supplied is partially charged. To ensure full capacity of the battery, completely charge the battery in the battery charger before using your power tool for the first time. The lithium-ion battery can be charged at any time without reducing its service life. Interrupting the charging procedure does not damage the battery.

The lithium-ion battery is protected against deep discharging by the "Electronic Cell Protection (ECP)". When the battery is empty, the machine is switched off by means of a protective circuit. The inserted tool no longer rotates.

- ▶ **Do not continue to press the On/Off switch after the machine has been automatically switched off.** The battery can be damaged.

Removing the battery

The battery **12** is equipped with two locking levels that should prevent the battery from falling out when pushing the battery unlocking button **13** unintentionally. As long as the battery is inserted in the power tool, it is held in position by means of a spring.



To remove the battery **12**, press the unlocking button **13** and pull out the battery toward the front. **Do not exert any force.**

Auxiliary Handle

- ▶ **Operate your machine only with the auxiliary handle 4.**
- ▶ **Before performing any work, make sure that the auxiliary handle is firmly tightened.** Loss of control can lead to injury.

Mounting the Auxiliary Handle

To open the auxiliary handle, turn the bottom part of the auxiliary handle **4** in counterclockwise direction.

Pull back the intermediate piece of the auxiliary handle **5** and hold it in this position. Slide the auxiliary handle over the drill chuck to mount the auxiliary handle on the power tool. Then let go of the intermediate piece **5**.

Afterwards, tighten the bottom part of the auxiliary handle **4** again by turning in clockwise direction.

Changing the position of the auxiliary handle

The auxiliary handle **4** can be set to any position for a secure and low-fatigue working posture.

Turn the bottom part of the auxiliary handle **4** in counterclockwise direction and swivel the auxiliary handle **4** to the desired position. Then retighten the bottom part of the auxiliary handle **4** by turning in clockwise direction.

Adjusting the Drilling Depth

The required drilling depth **X** can be set with the depth stop **3**.

Loosen the wing bolt for the depth stop adjustment **6** and insert the depth stop rod into the auxiliary handle **4**.

Pull out the depth stop until the distance between the tip of the drill bit and the tip of the depth stop corresponds with the desired drilling depth **X**.

Retighten the wing bolt for the depth stop adjustment **6** again.

Changing the Tool (see figure A)

- ▶ **Before any work on the machine itself (e. g. maintenance, tool change, etc.) as well as during transport and storage, remove the battery from the power tool.** There is danger of injury when unintentionally actuating the On/Off switch.

Open the keyless chuck **2** by turning in rotation direction **⌚**, until the tool can be inserted. Insert the tool.

Firmly tighten the collar of the keyless chuck **2** by hand in rotation direction **⌚**. This automatically locks the drill chuck.

Dust/Chip Extraction

- ▶ **Dust from materials such as lead-containing coatings, some wood types, minerals and metal can be harmful to one's health and cause allergic reactions, lead to respiratory infections and/or cancer.** Materials containing asbestos may only be worked by specialists.
 - Provide for good ventilation of the working place.
 - It is recommended to wear a P2 filter-class respirator. Observe the relevant regulations in your country for the materials to be worked.
- ▶ **Prevent dust accumulation at the workplace.** Dust can easily ignite.

Operation

Starting Operation

Inserting the battery

Note: Use of batteries not suitable for the machine can lead to malfunctions of or cause damage to the power tool.

Set the rotational direction switch **17** to the centre position in order to avoid unintentional starting. Insert the charged battery **12** into the handle so that it can be felt to engage and faces flush against the handle.

Reversing the rotational direction (see figure B)

The rotational direction switch **17** is used to reverse the rotational direction of the machine. However, this is not possible with the On/Off switch **18** actuated.

- ⌚ **Rotate clockwise:** Move the rotational direction switch **17** on both sides up to the stop into position **◀**.
- ⌚ **Rotate anticlockwise:** Move the rotational direction switch **17** on both sides up to the stop into position **▶**.

Setting the operating mode



Drilling

Set the operating mode selector switch **8** to the "drilling" symbol.



Screwdriving

Set the operating mode selector switch **8** to the "screwdriving" symbol.



Impact drilling

Set the operating mode selector switch **8** to the "impact drilling" symbol.

Switching On and Off

To **start** the machine, press the On/Off switch **18** and keep it pressed.

The LED **14** lights up when the On/Off switch **18** is halfway or fully pressed, and enables illumination of the screwing location in unfavourable light conditions.

To save energy, only switch the power tool on when using it.

Adjusting the Speed

The speed of the switched-on power tool can be variably adjusted, depending on how far the On/Off switch **18** is pressed.

Light pressure on the On/Off switch **18** results in a low rotational speed. Further pressure on the switch results in an increase in speed.

Setting the torque (Applies to screwdriving mode)

With the torque preselection ring **7**, the required torque can be preselected in 25 steps. The inserted tool is stopped as soon as the set torque is reached.

Gear selection, mechanical

- ▶ **Actuate the gear selector 9 only when the machine is at a standstill.**

1st gear:

Low speed range; for working with large drilling diameters.

2nd gear:

High speed range; for drilling with small drilling diameter.

Temperature Dependent Overload Protection

In normal conditions of use, the power tool cannot be overloaded. If the power tool is overloaded or not kept within the permitted battery temperature range, the power output is reduced or the power tool is switched off. The power tool will not run at full power output again until the permitted battery temperature has been reached.

Activation of the temperature-controlled overload protector is indicated by the LED **15** on the power tool lighting up red. The LED **15** will go out once the temperature of the tool's battery is back within the permissible range.

Protection Against Deep Discharging

The lithium-ion battery is protected against deep discharging by the "Electronic Cell Protection (ECP)". When the battery is empty, the machine is switched off by means of a protective circuit: The inserted tool no longer rotates.

Rapid Shut-off

The rapid shut-off feature enables better control of the power tool. The power tool shuts off in case of sudden and unexpected rotation of the power tool around the drilling axis.

The rapid shut-off feature is indicated by a flashing LED on the power tool.

To **restart the machine**, release the On/Off switch and then actuate again.

- ▶ **Rapid shut-off can trigger only when the power tool is running at maximum operating speed and can rotate freely around the drill bit axis.** Choose a suitable work position for this. Otherwise, rapid shut-off will not be ensured.

Working Advice

- ▶ **Apply the power tool to the screw only when it is switched off.** Rotating tool inserts can slip off.

An auxiliary tool can be used to remove the screwdriver bit or universal bit holder.

Belt Clip

With the belt clip **11**, the machine can be hung onto a belt. The user has both hands free and the machine is always at hand.

Colour clip (see figure D)

You can use the colour clip **10** to individually label the power tool.

Maintenance and Service

Maintenance and Cleaning

- ▶ **Before any work on the machine itself (e. g. maintenance, tool change, etc.) as well as during transport and storage, remove the battery from the power tool.** There is danger of injury when unintentionally actuating the On/Off switch.
- ▶ **For safe and proper working, always keep the machine and ventilation slots clean.**

After-sales Service and Application Service

Our after-sales service responds to your questions concerning maintenance and repair of your product as well as spare parts.

ramsetreid Postal:

Australia:

P.O. Box 192, Croydon,
Victoria 3136
1 Ramset Drive,
Chirnside Park, Victoria 3116

Customer Service Center Inside Australia:

Phone: 1300 780 063
Fax: 1300 780 064

New Zealand:

Inside New Zealand:
Phone: 0800 RAMSET (726738)
Fax: (0800) 428570

Outside AU and NZ:

Phone: +61 3 9726 6222
www.ramset.com.au

Transport

The contained lithium-ion batteries are subject to the Dangerous Goods Legislation requirements. The user can transport the batteries by road without further requirements.

When being transported by third parties (e. g.: air transport or forwarding agency), special requirements on packaging and labelling must be observed. For preparation of the item being shipped, consulting an expert for hazardous material is required.

Dispatch batteries only when the housing is undamaged. Tape or mask off open contacts and pack up the battery in such a manner that it cannot move around in the packaging. Please also observe possibly more detailed national regulations.

Disposal



The machine, rechargeable batteries, accessories and packaging should be sorted for environmental-friendly recycling.

Do not dispose of power tools and batteries/rechargeable batteries into household waste!

Battery packs/batteries:



Subject to change without notice.

Warranty

This Ramset™ tool is warranted to the original purchaser only to be free from defects in material and workmanship. Subject to certain exceptions Ramset™ will repair replace any part of the tool which, after examination, is determined by Ramset™ to be defective in material or workmanship for a period of two (2) years* after the date of purchase.

Return the tool and a copy of proof of purchase to the Ramset™ National Service Centre, freight prepaid and insured, as requested for this warranty to be effective. This warranty does not apply to damage that Ramset™ determines to be from repairs made or attempted by anyone other than Ramset™ authorized personnel, misuse, alterations, abuse, normal wear and tear, lack of maintenance, or accidents.

*Statutory rights for goods and purchases as a customer.

Australia

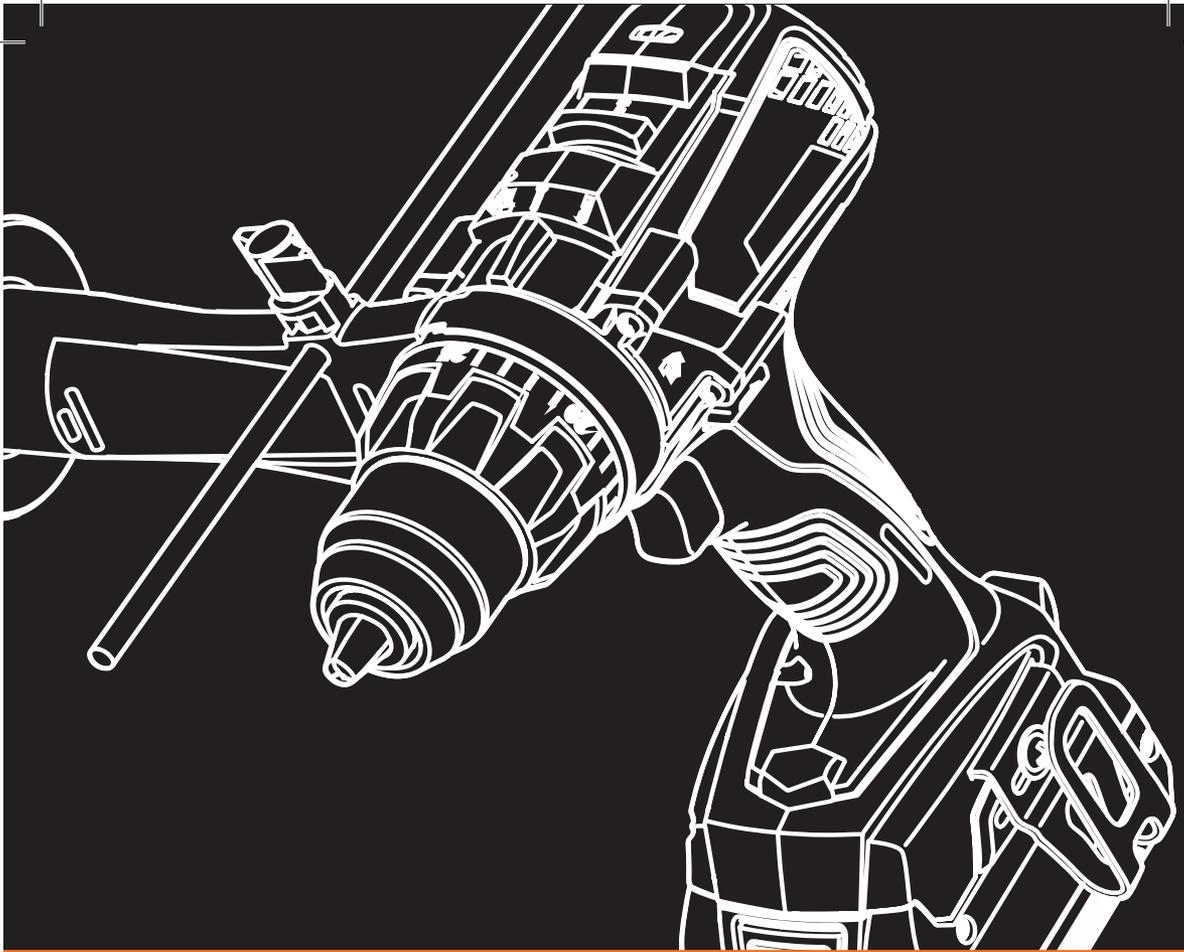
In addition to other rights and remedies that may be available under law, our goods come with guarantees that cannot be excluded under the Australian Consumer Law. You are entitled to a replacement or refund for a major failure and for compensation for any other reasonable foreseeable loss or damage. You are also entitled to have the goods repaired or replaced if the goods fail to be of acceptable quality and the failure does not amount to a major failure.

New Zealand

This warranty is supplemental to any other rights and remedies you have under the Consumer Guarantees Act 1993 NZ, unless your purchase is made for commercial purposes, in which case Ramset™ excludes all consumer guarantees implied in the Consumer Guarantees Act 1993 NZ in respect of your product.

Acceptance of the exclusive repair and replacement remedies described herein is a condition of the contract for the purchase of every Ramset™ product. If you do not agree to this condition, you should not purchase the product. In no event shall Ramset™ be liable for any incidental, special, consequential or punitive damages, or for any costs, attorney fees, expenses, losses or delays alleged to be as a consequence of any damage to, failure of, or defect in any product including, but not limited to, any claims for loss of profits.

This warranty is exclusive and in lieu of all other warranties or conditions, written or oral, expressed or implied. Without limiting the generality of the foregoing, Ramset™ disclaims any implied warranty of merchantability or fitness for a particular use or purpose, and all other warranties.



customer service

Ramset™ Australia

Customer Service Centre

Tel: 1300 780 063

Web ramset.com.au

Ramset™ New Zealand

Customer Service Centre

Tel: 0800 RAMSET (726738)

Web: ramset.co.nz

