



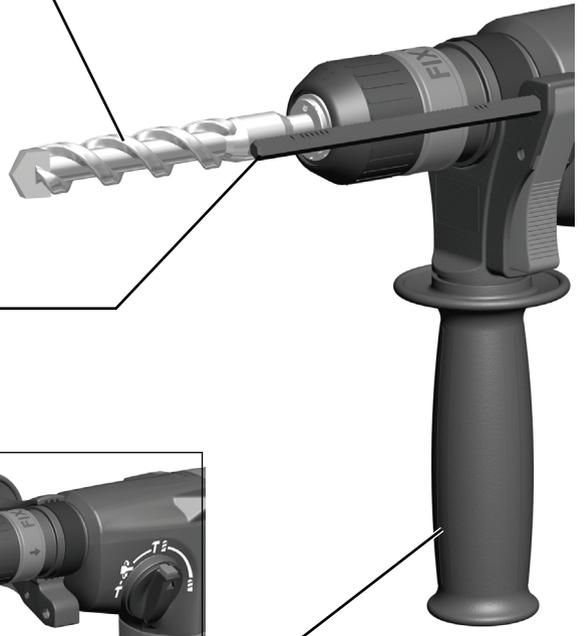
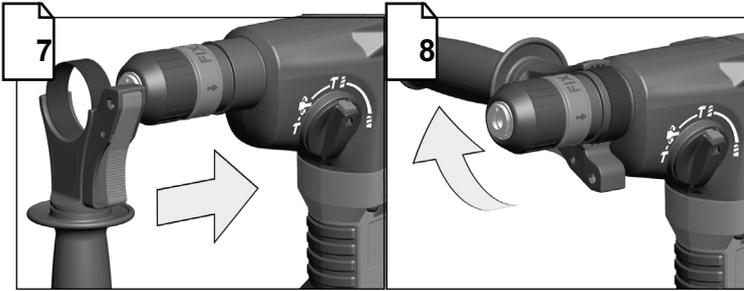
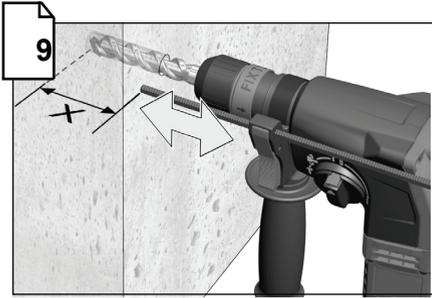
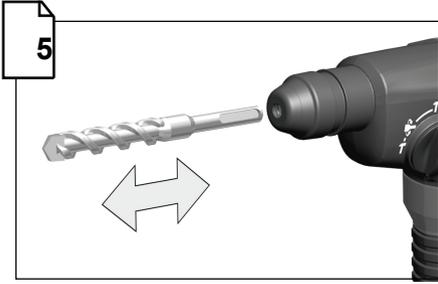
Ramset™

CRHR18
18V Rotary Hammer
Operator's Manual

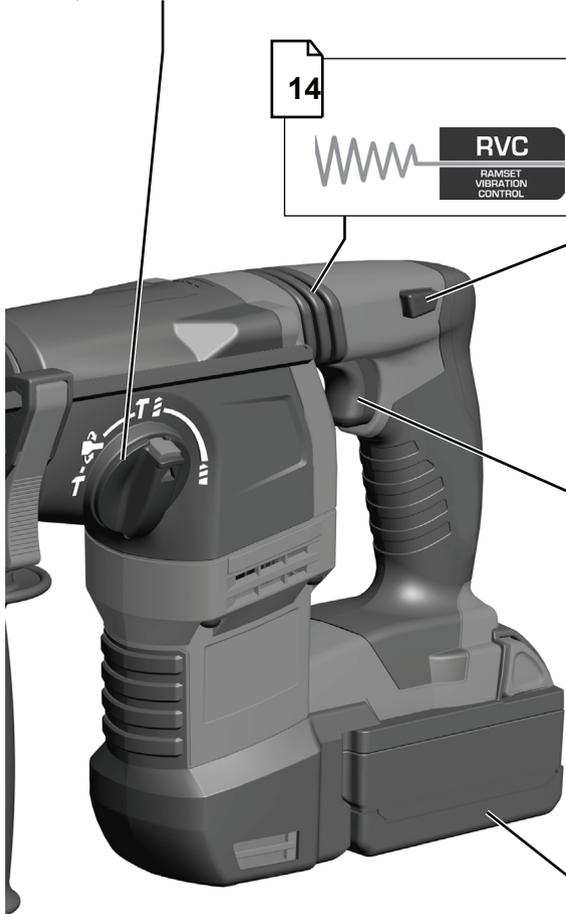
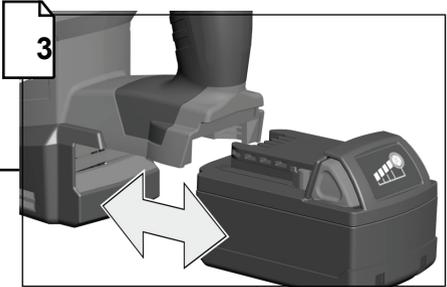
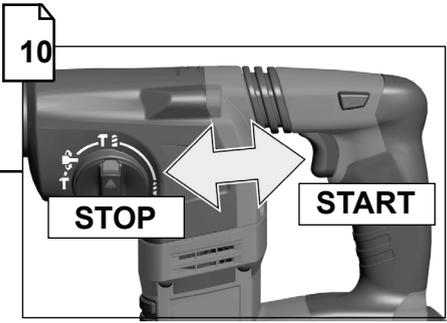
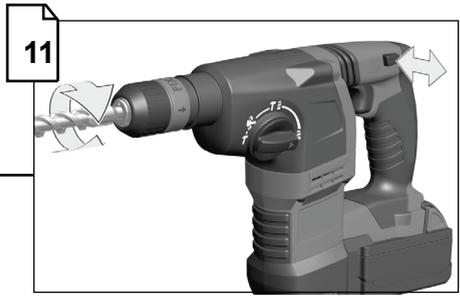
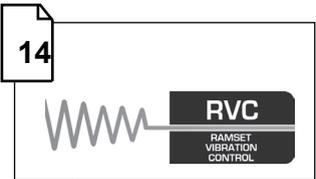
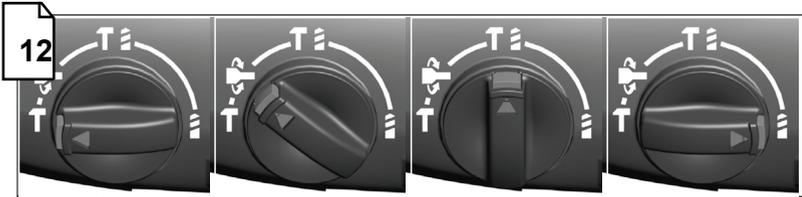
A18
Lithium Ion

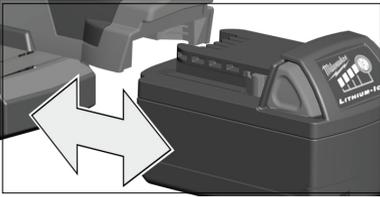


TO REDUCE THE RISK OF INJURY, USER MUST READ OPERATOR'S MANUAL.

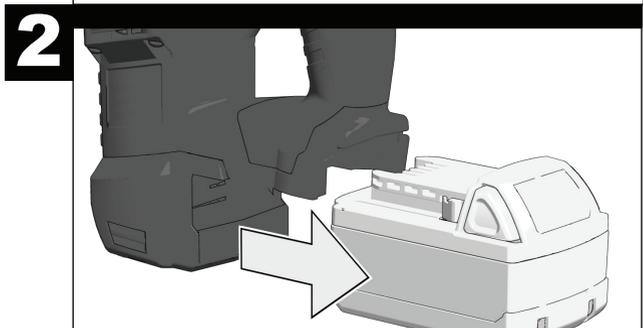
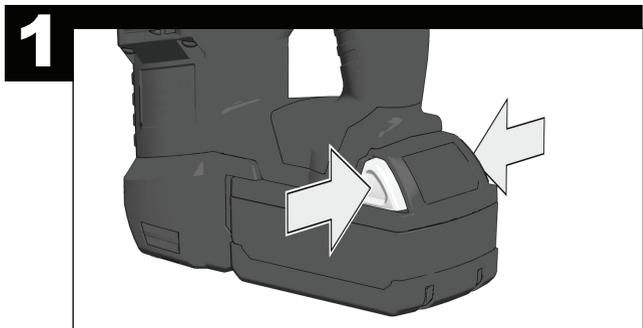
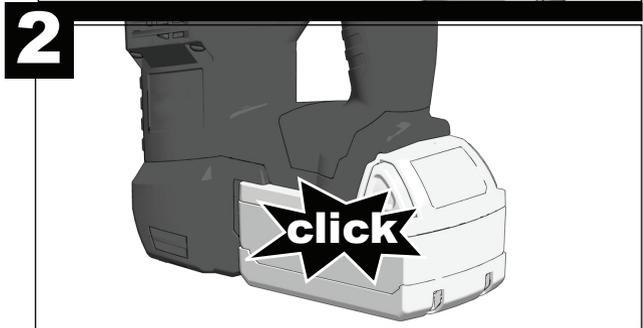
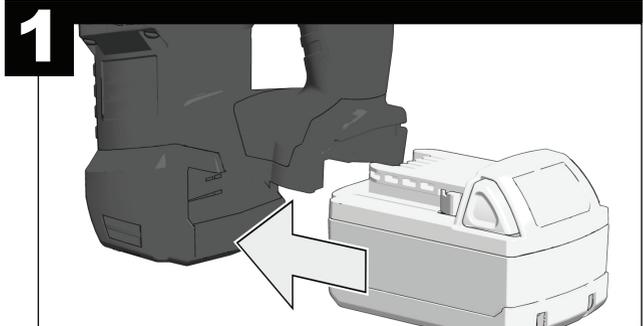


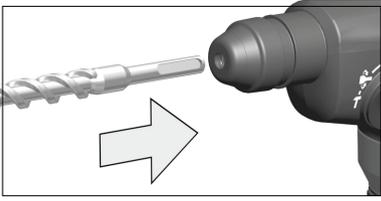
Remove the battery pack before starting any work on the machine.





Remove the battery pack before starting any work on the machine.

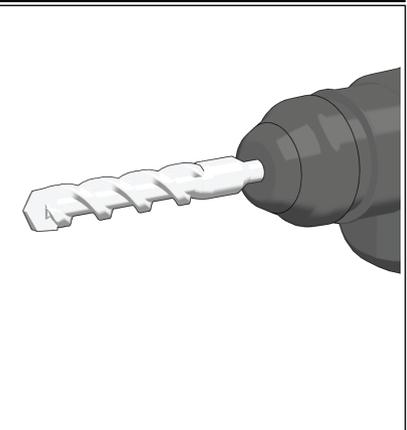
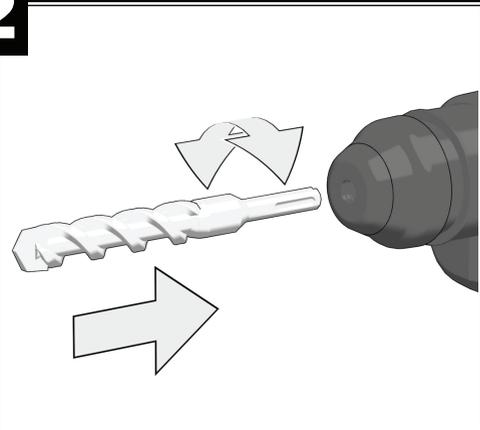




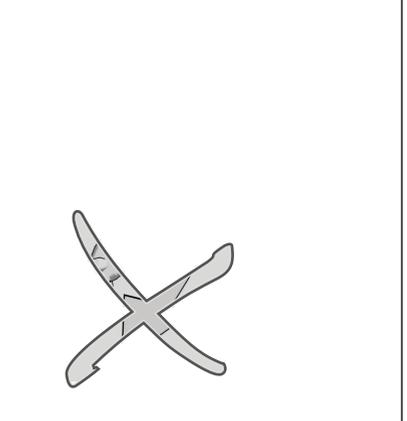
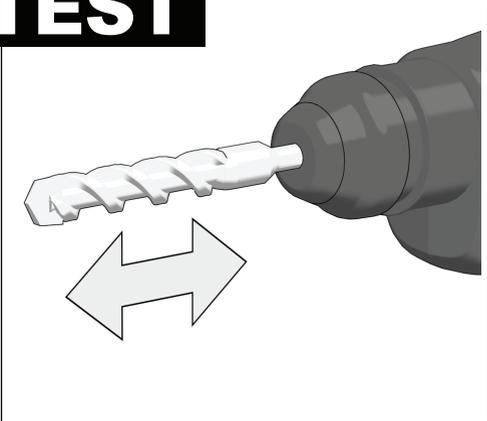
1

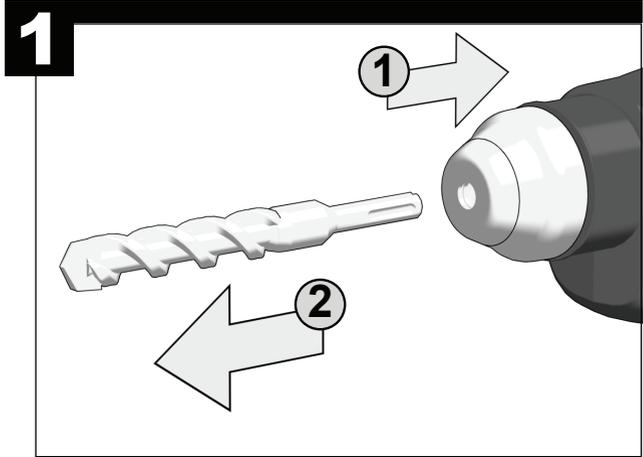
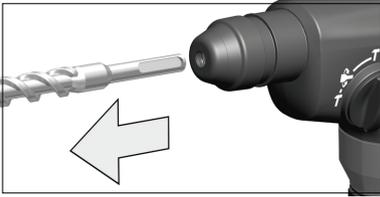


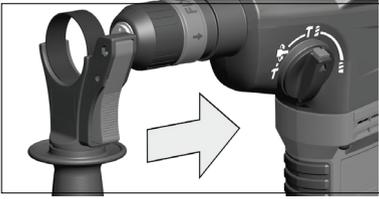
2



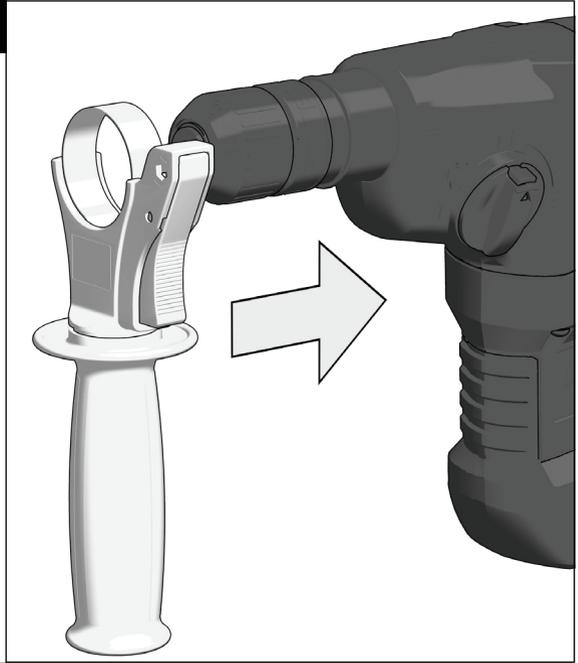
TEST



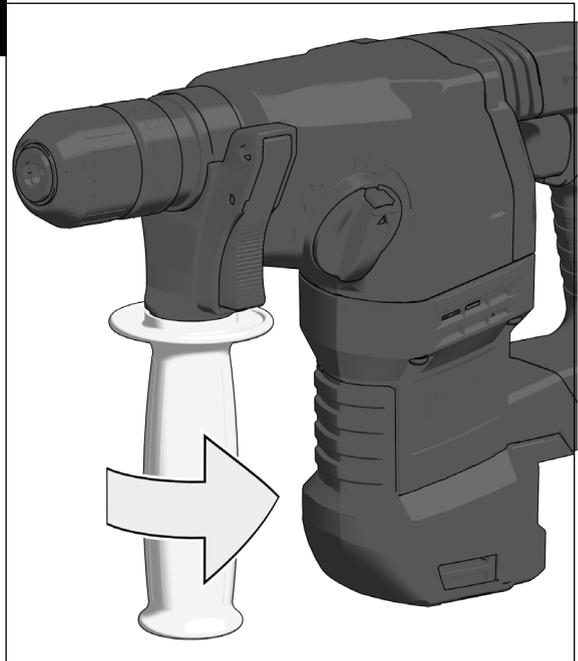


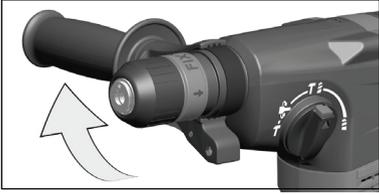


1

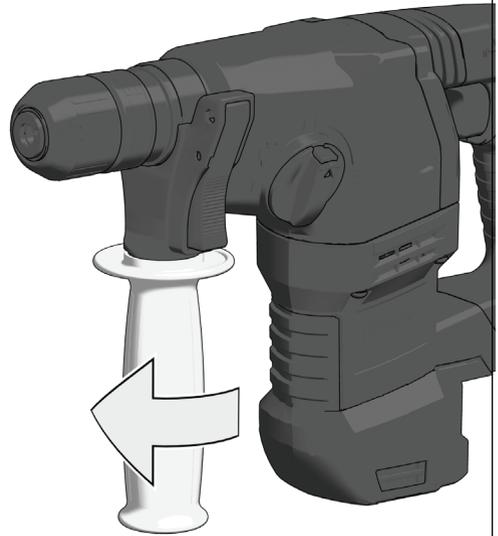


2

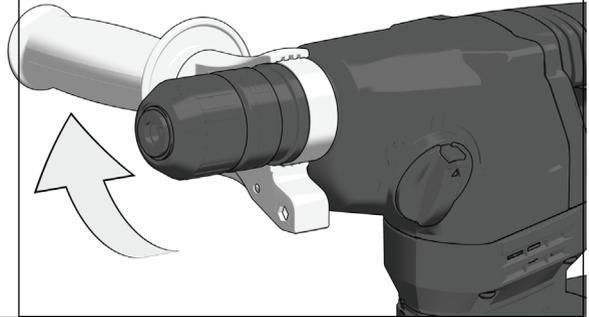




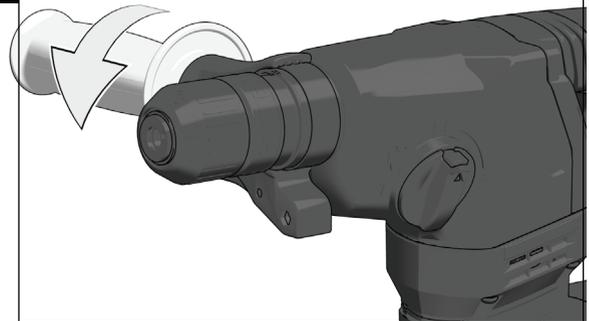
1

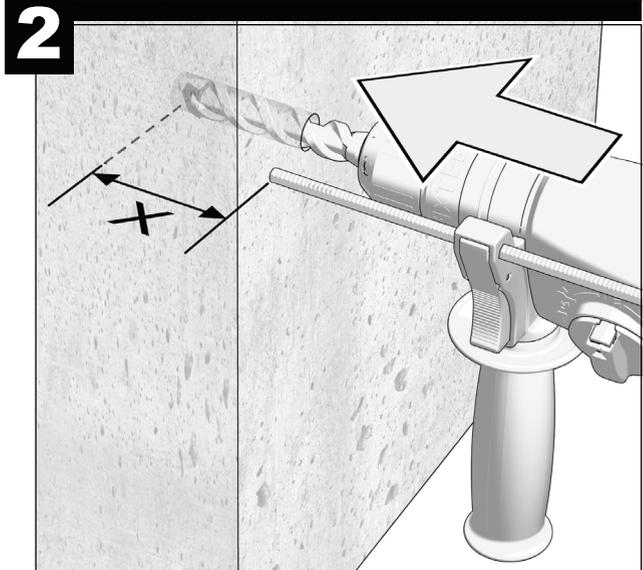
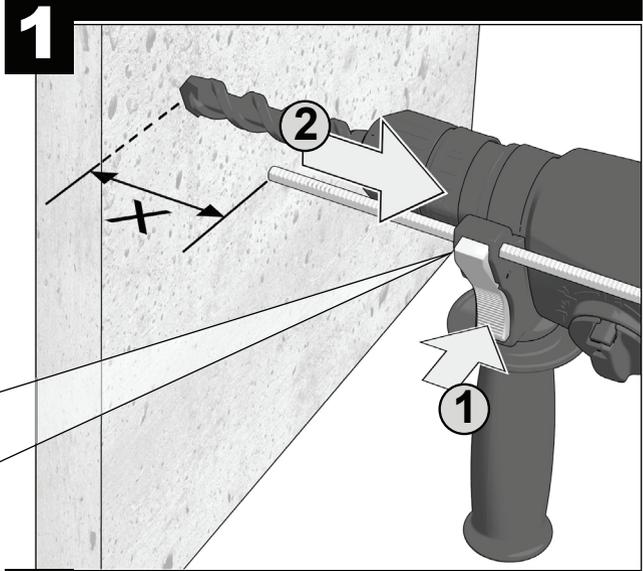
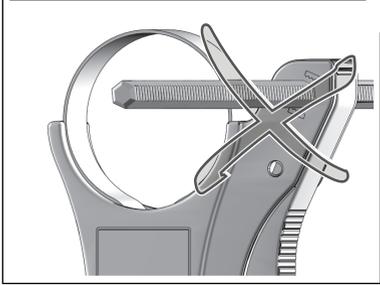
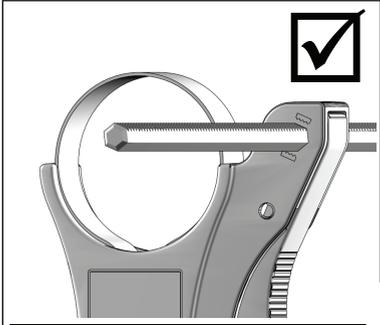
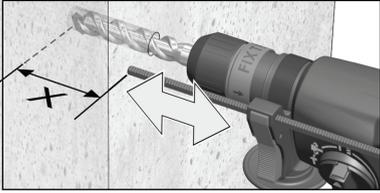


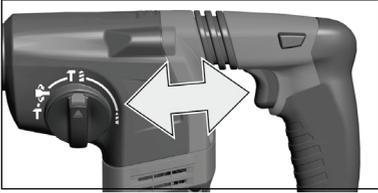
2



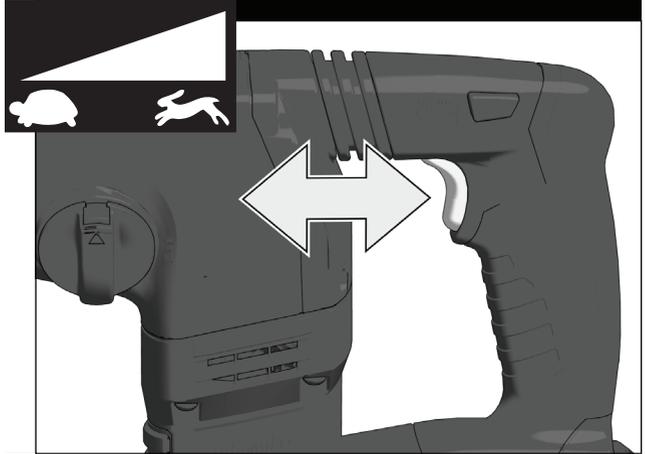
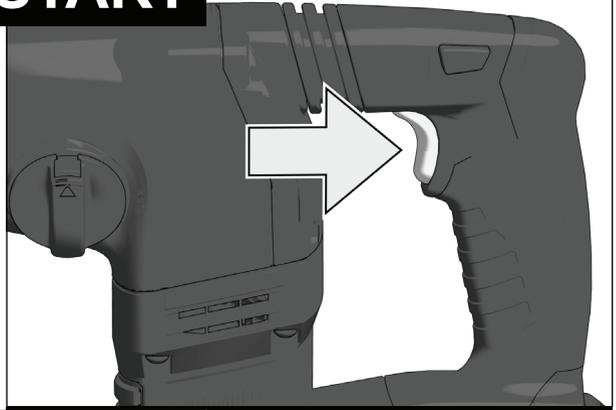
3



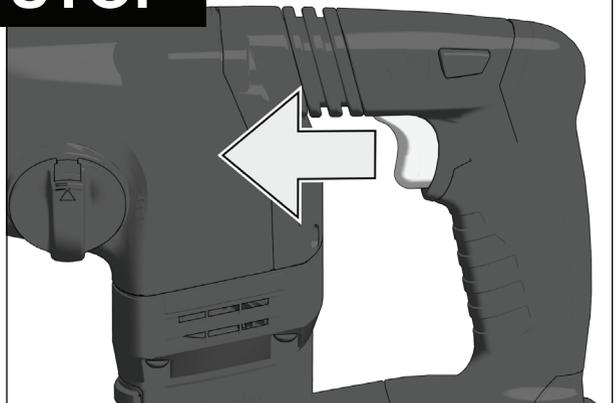


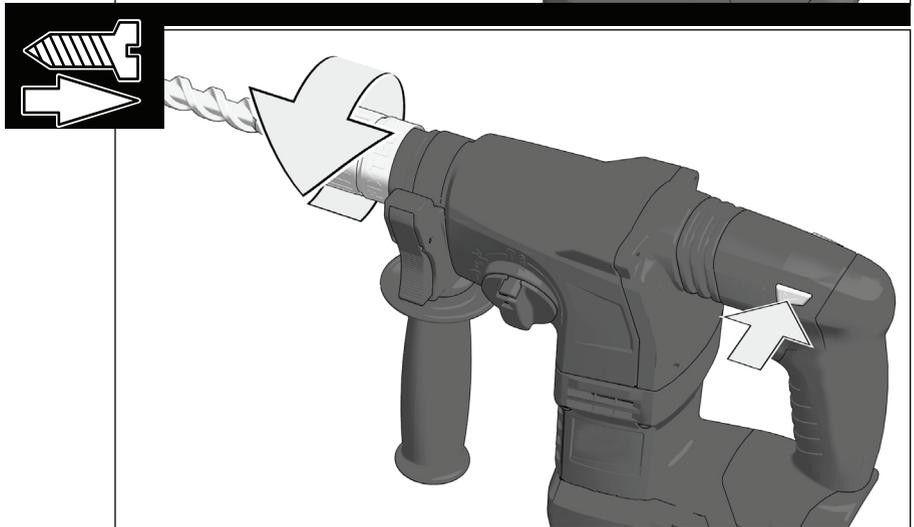
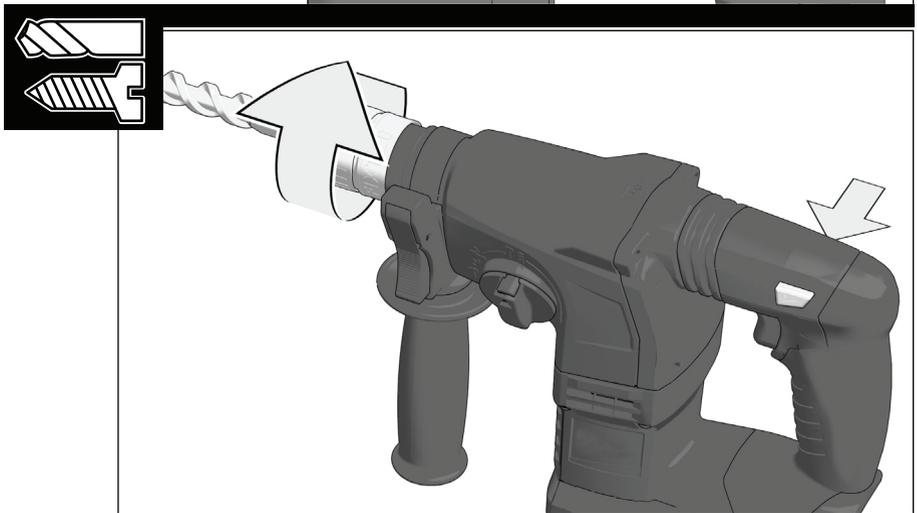
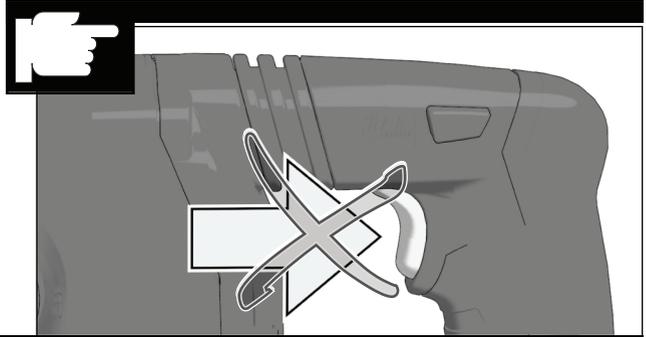


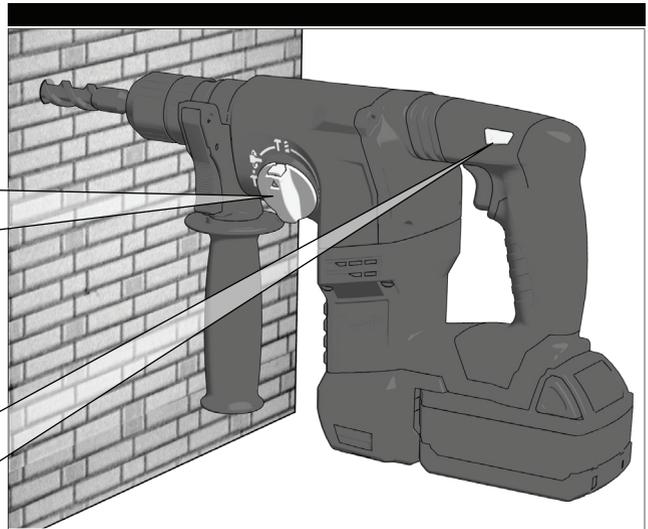
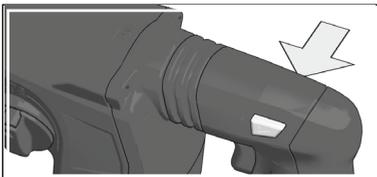
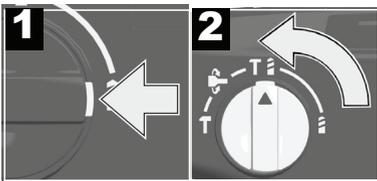
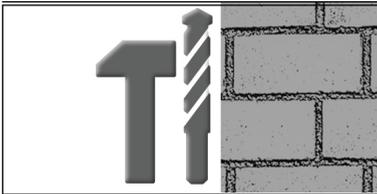
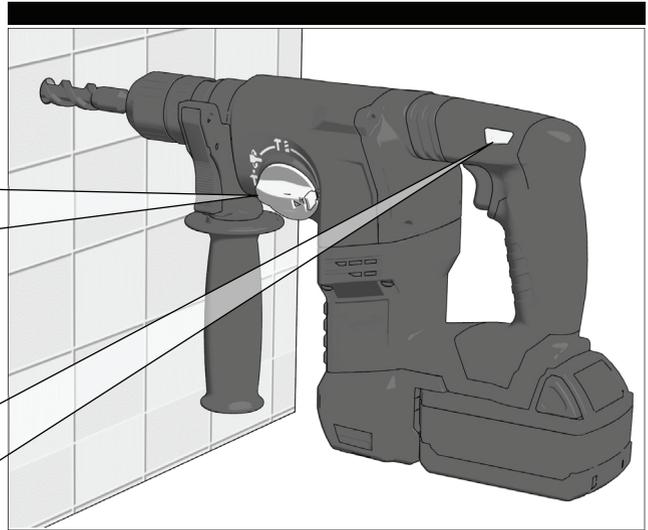
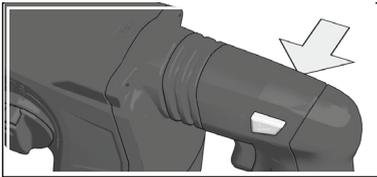
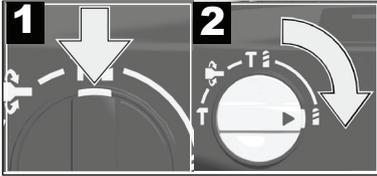
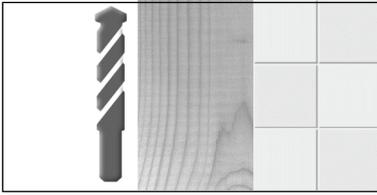
START

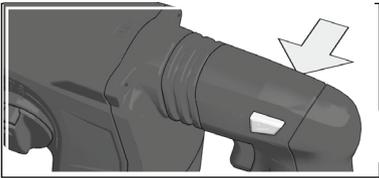
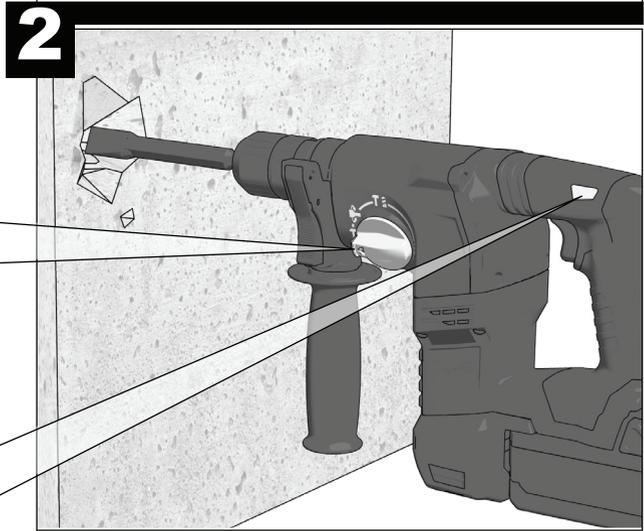
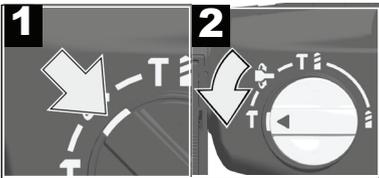
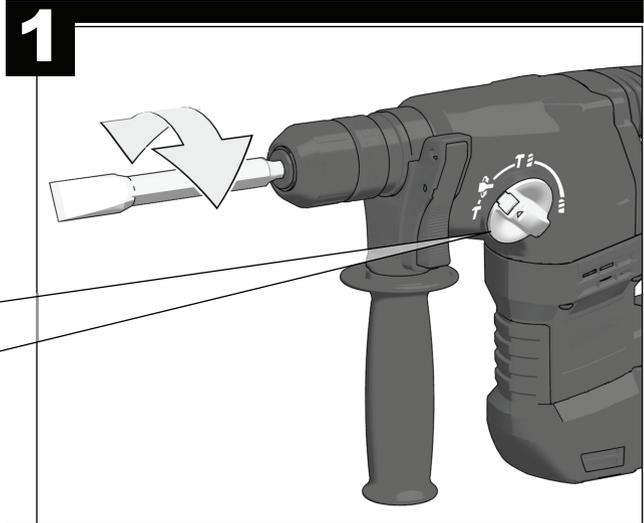
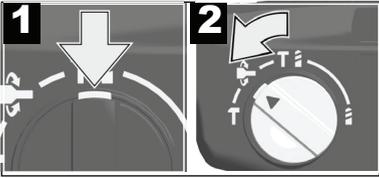
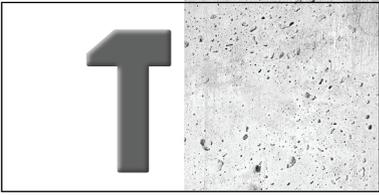


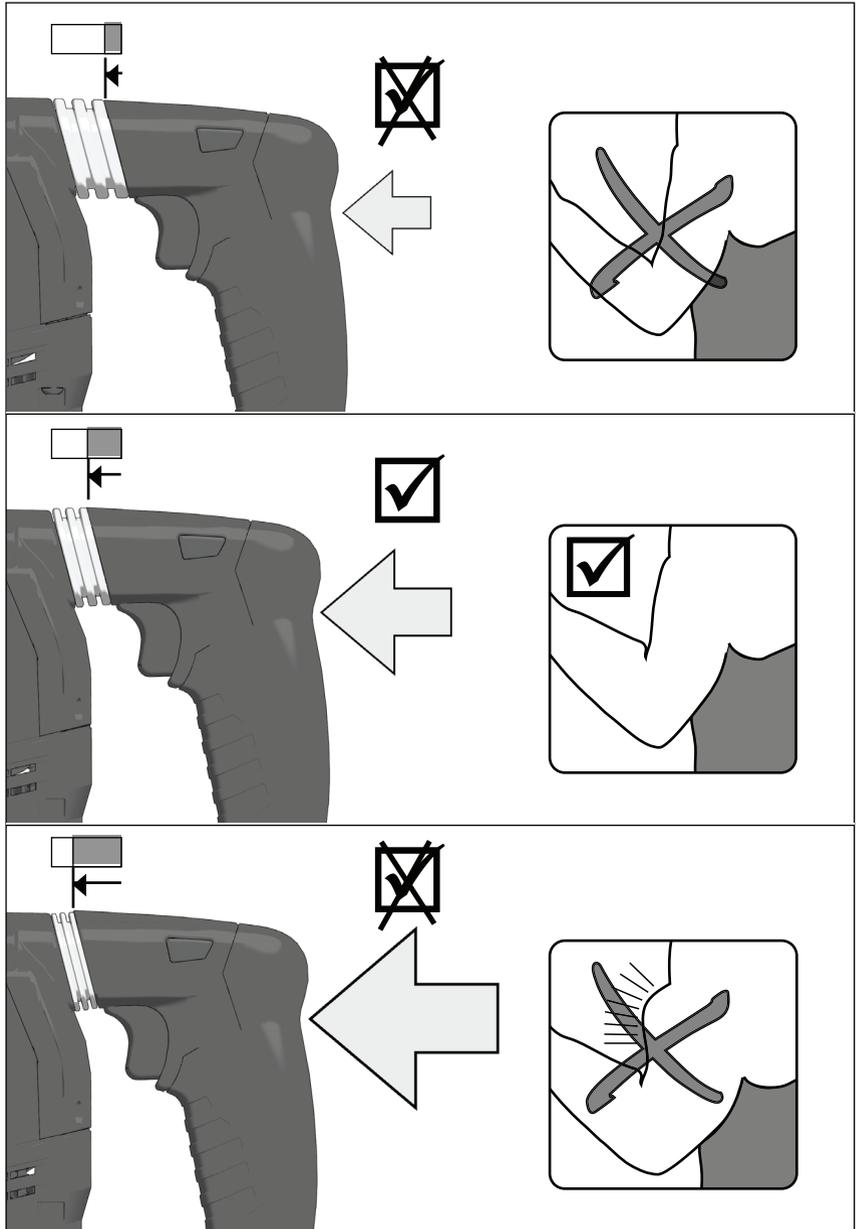
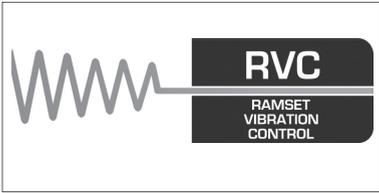
STOP

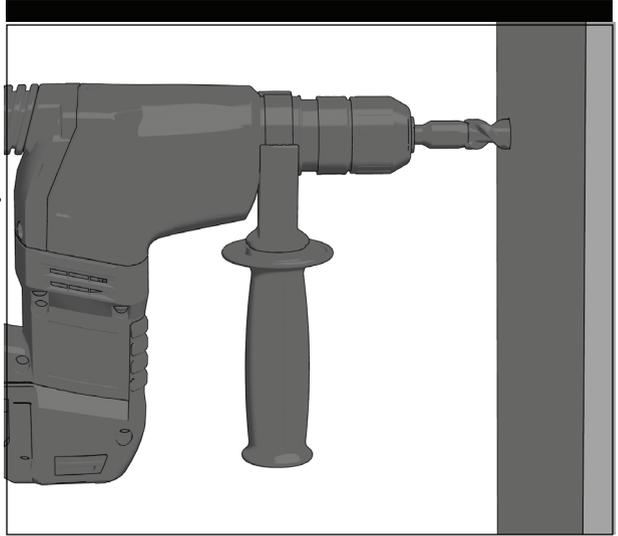
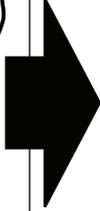
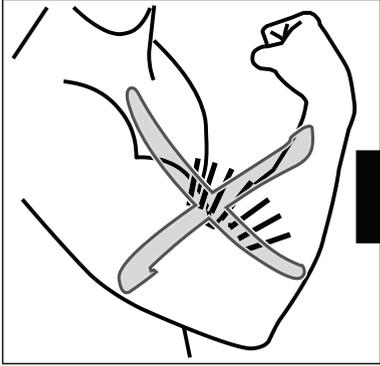
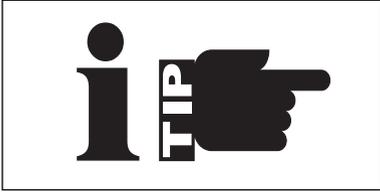












| TECHNICAL DATA | Cordless Rotary Hammer | CRHR18 |
|---|------------------------|--------------------------|
| Drilling capacity in concrete | | 24 mm |
| Drilling capacity in steel | | 13 mm |
| Drilling capacity in wood | | 30 mm |
| Light core cutter in bricks and limestone | | 50 mm |
| No-load speed | | 1400 min ⁻¹ |
| Rate of percussion under load | | 0-4200 min ⁻¹ |
| Single impact energy | | 2.4 J |
| Chuck neck diameter | | 43 mm |
| Battery | | Li-Ion |
| Battery voltage | | 18 V |
| Weight according EPTA-Procedure 01/2003 | | 3.5 kg |

Noise/Vibration Information

Measured values determined according to EN 60745.

Typically, the A-weighted noise levels of the tool are:

| | |
|--|-----------|
| Sound pressure level (K = 3 dB(A)) | 88 dB (A) |
| Sound power level (K = 3 dB(A)) | 99 dB (A) |

Wear ear protection!

Total vibration values (vector sum in the three axes) determined according to EN 60745:

| | |
|---|-----------------------|
| Hammer-drilling in concrete: vibration emission value a_h | 12.2 m/s ² |
| Uncertainty K = | 1.5 m/s ² |
| Chiselling: vibration emission value a_h | 7.4 m/s ² |
| Uncertainty K = | 1.5 m/s ² |

WARNING

The vibration emission level given in this information sheet has been measured in accordance with a standardised test given in EN 60745 and may be used to compare one tool with another. It may be used for a preliminary assessment of exposure. The declared vibration emission level represents the main applications of the tool. However if the tool is used for different applications, with different accessories or poorly maintained, the vibration emission may differ. This may significantly increase the exposure level over the total working period.

An estimation of the level of exposure to vibration should also take into account the times when the tool is switched off or when it is running but not actually doing the job. This may significantly reduce the exposure level over the total working period. Identify additional safety measures to protect the operator from the effects of vibration such as: maintain the tool and the accessories, keep the hands warm, organisation of work patterns.

⚠ WARNING! Read all safety warnings and all instructions, including those given in the accompanying brochure. Failure to follow the warnings and instructions may result in electric shock, fire and/or serious injury.
Save all warnings and instructions for future reference.

SAFETY INSTRUCTIONS

Wear ear protectors. Exposure to noise can cause hearing loss.

Use auxiliary handles supplied with the tool. Loss of control can cause personal injury.

Hold power tool by insulated gripping surfaces, when performing an operation where the cutting accessory may contact hidden wiring. Cutting accessory contacting a "live" wire may make exposed metal parts of the power tool "live" and could give the operator an electric shock.

Always wear goggles when using the machine. It is recommended to wear gloves, sturdy non slipping shoes and apron.

Sawdust and splinters must not be removed while the machine is running.

The dust produced when using this tool may be harmful to health. Do not inhale the dust. Wear a suitable dust protection mask.

Remove the battery pack before starting any work on the machine.

Do not dispose of used battery packs in the household refuse or by burning them.

Do not store the battery pack together with metal objects (short circuit risk).

Use only a CCR18 chargers for charging system Ramset R18 battery packs. Do not use battery packs from other systems.

Never break open battery packs and chargers and store only in dry rooms. Keep dry at all times.

Battery acid may leak from damaged batteries under extreme load or extreme temperatures. In case of contact with battery acid wash it off immediately with soap and water. In case of eye contact rinse thoroughly for at least 10 minutes and immediately seek medical attention.

No metal parts must be allowed to enter the battery section of the charger (short circuit risk).

SPECIFIED CONDITIONS OF USE

The battery rotary pneumatic hammer may be used for hammer drilling and drilling in wood, metal as well as plastic for independent use away from mains supply.

Do not use this product in any other way as stated for normal use.

EC-DECLARATION OF CONFORMITY

We declare under our sole responsibility that this product is in conformity with the following standards or standardized documents. EN 60745, EN 55014-1, EN 55014-2, in accordance with the regulations 2006/42/EC, 2004/108/EC

BATTERIES

New battery packs reach full loading capacity after 4 - 5 chargings and dischargings. Battery packs which have not been used for some time should be recharged before use. Temperatures in excess of 50°C (122°F) reduce the performance of the battery pack. Avoid extended exposure to heat or sunshine (risk of overheating).

The contacts of chargers and battery packs must be kept clean. For an optimum life-time, the battery packs have to be fully charged, after used.

BATTERY PACK PROTECTION

In extremely high torque, binding, stalling and short circuit situations that cause high current draw, the tool will vibrate for about 5 seconds, the fuel gauge will flash, and then the tool will turn OFF. To reset, release the trigger.

Under extreme circumstances, the internal temperature of the battery pack could raise too much. If this happens, the fuel gauge will flash until the battery pack cooled down. After the lights go off, the work may continue.

MAINTENANCE

The ventilation slots of the machine must be kept clear at all times.

Important note! If the carbon brushes are worn, in addition to exchanging the brushes the tool should be sent to after-sales service. This will ensure long service life and top performance. Use only Ramset accessories and Ramset spare parts. Should components need to be replaced which have not been described, please contact our Ramset National Service Centre.

SYMBOLS



Please read the instructions carefully before starting the machine.



Accessory - Not included in standard equipment, available as an accessory.



Remove the battery pack before starting any work on the machine.



Do not dispose of electric tools together with household waste material! In observance of European Directive 2002/96/EC on waste electrical and electronic equipment and its implementation in accordance with national law, electric tools that have reached the end of their life must be collected separately and returned to an environmentally compatible recycling facility.



Ramset™

CRHR18 18V Rotary Hammer Operator's Manual

TWO YEAR WARRANTY

Every Ramset™ 18 Volt Lithium-Ion power tool (including battery charger) is warranted to the original purchaser only to be free from defects in material and workmanship. Subject to certain exceptions, Ramset™ will repair or replace any part on a 18 Volt Lithium-Ion power tool which, after examination, is determined by Ramset™ to be defective in material or workmanship for a period of two (2) years* after the date of purchase. Return the 18 Volt Lithium-Ion power tool and a copy of proof of purchase to the Ramset™ National Service Centre, freight prepaid and insured, as requested for this warranty to be effective. This warranty does not apply to damage that Ramset™ determines to be from repairs made or attempted by anyone other than Ramset™ authorized personnel, misuse, alterations, abuse, normal wear and tear, lack of maintenance, or accidents.

*The warranty period for Li-Ion battery packs is two (2) years from the date of purchase.

ACCEPTANCE OF THE EXCLUSIVE REPAIR AND REPLACEMENT REMEDIES DESCRIBED HEREIN IS A CONDITION OF THE CONTRACT FOR THE PURCHASE OF EVERY Ramset™ PRODUCT. IF YOU DO NOT AGREE TO THIS CONDITION, YOU SHOULD NOT PURCHASE THE PRODUCT. IN NO EVENT SHALL Ramset™ BE LIABLE FOR ANY INCIDENTAL, SPECIAL, CONSEQUENTIAL OR PUNITIVE DAMAGES, OR FOR ANY COSTS, ATTORNEY FEES, EXPENSES, LOSSES OR DELAYS ALLEGED TO BE AS A CONSEQUENCE OF ANY DAMAGE TO, FAILURE OF, OR DEFECT IN ANY PRODUCT INCLUDING, BUT NOT LIMITED TO, ANY CLAIMS FOR LOSS OF PROFITS. THIS WARRANTY IS EXCLUSIVE AND IN LIEU OF ALL OTHER WARRANTIES OR CONDITIONS, WRITTEN OR ORAL, EXPRESSED OR IMPLIED. WITHOUT LIMITING THE GENERALITY OF THE FOREGOING, Ramset™ DISCLAIMS ANY IMPLIED WARRANTY OF MERCHANTABILITY OR FITNESS FOR A PARTICULAR USE OR PURPOSE, AND ALL OTHER WARRANTIES.

Ramset™ A division of ITW Australia Pty Ltd