



**Ramset™**

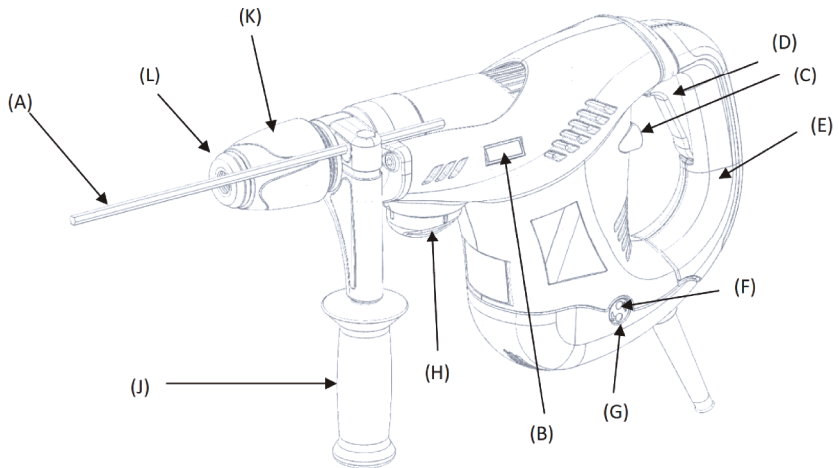
**6kg Combi Hammer  
Operator's Manual**



**DynaDrill™ 566** **R3  
MAX™**

**TO REDUCE THE RISK OF INJURY, USER MUST READ OPERATOR'S MANUAL.**





- A Depth adjustment
- B Water level horizontal
- C Water level vertical
- D Electronic switch
- E Handle
- F Power indicator
- G Service indicator
- H Function selector switch
- J Adjustable handle
- K Tool lock
- L Dust protection cap

---

**Features:**

- Soft Start
- Speed Control
- Manual Speed Control
- One Hand Locking
- Dynamic Safety Clutch
- Ramset Vibration Control
- Ramset Rotation Control

---

**RVC : Ramset Vibration Control**

This system is designed to reduce vibration and thus to reduce health risks.

**Attention:** The auxiliary handle (J) keeps a certain play after fixing in order to compensate tool rotation vibrations. Consequently, do not over-tighten the auxiliary handle.

**RRC : Ramset Rotation Control**

This system enhances the comfort during hammer drilling. Suddenly occurring tool rotations, e. g. jamming of the drill bit, will stop the motor immediately and the power supply to the motor is interrupted. To turn on the motor again, the electronic switch (D) has to be pulled again. **Attention:** Despite this function, the tool must also be held on the additional handle.

---

## DynaDrill™ 566 Combi Hammer

This machine can be operated safely only when the operating and safety instructions have been completely read and strictly observed to. It is recommended to receive practical instruction before using the machine for the first time. **The general safety instructions (separately enclosed) must be observed!**

### Area of use:

This tool is solely determined for chiseling and hammer drilling of mainly mineral materials (e.g. reinforced concrete, masonry, tiles, pavements) **without** water. Materials releasing noxious dust or steam during the work may **not** be treated. Improper use may cause injury or damage the tool.

### Safety instructions



### Noise and Vibration



$L_{WA} =$	104	dB(A)
$L_{pA} =$	93	dB(A)
$K =$	3	dB(A)



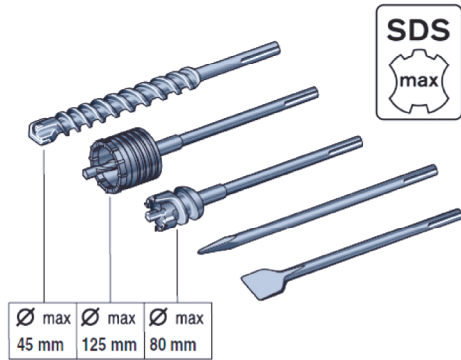
**DD566**

	---	RVC	---	RVC	
$a_h =$	15,4	8,2	13,8	9,1	$m/s^2$
$K =$	1,5	1,5	1,5	1,6	$m/s^2$

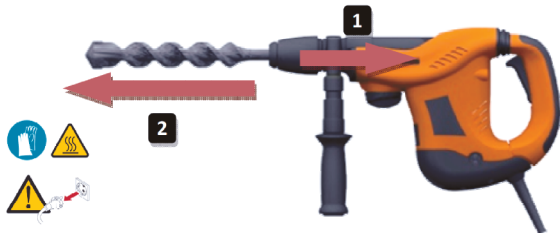
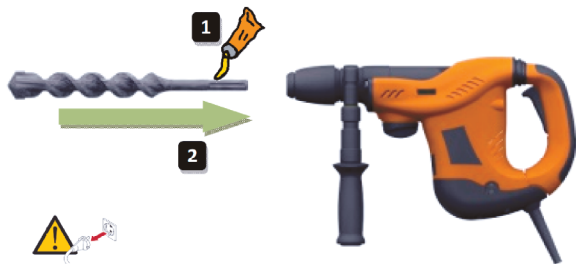
### Technical data

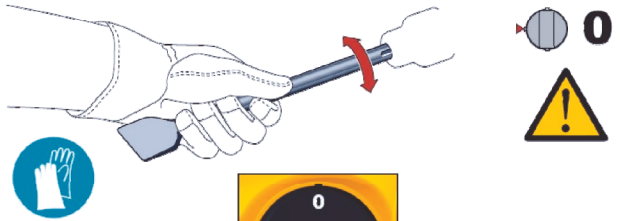
	U <sub>n</sub> = F <sub>n</sub> = P <sub>n</sub> =	220 – 240 V 50 / 60Hz 1100W
		0 - 450 min <sup>-1</sup>
		6,5 J 0 – 3000 min <sup>-1</sup>
		6,3 kg
		4 m

### Suitable tooling

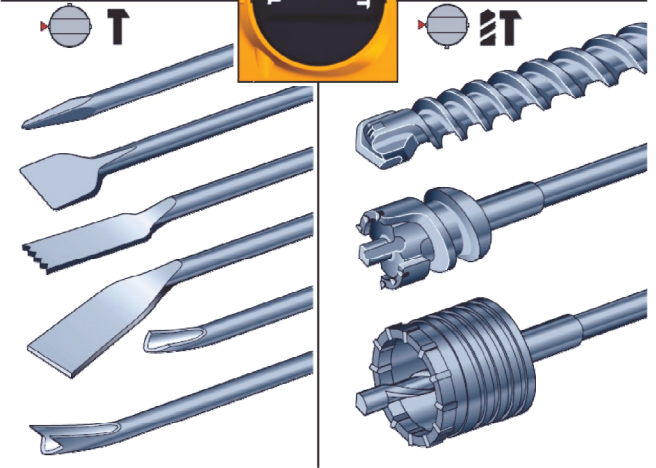


### Tool holder





Function selector switch



Start-up



Auxiliary handle



Depth gauge



LED indicator



Maintenance



Keep venting slots clean!





### ONE YEAR WARRANTY

This **Ramset™** tool is warranted to the original purchaser only to be free from defects in material and workmanship. Subject to certain exceptions, **Ramset™** will repair or replace any part of the tool which, after examination, is determined by **Ramset™** to be defective in material or workmanship for a period of one (1) years\* after the date of purchase. Return the tool and a copy of proof of purchase to the **Ramset™** National Service Centre, freight prepaid and insured, as requested for this warranty to be effective. This warranty does not apply to damage that **Ramset™** determines to be from repairs made or attempted by anyone other than **Ramset™** authorized personnel, misuse, alterations, abuse, normal wear and tear, lack of maintenance, or accidents.

ACCEPTANCE OF THE EXCLUSIVE REPAIR AND REPLACEMENT REMEDIES DESCRIBED HEREIN IS A CONDITION OF THE CONTRACT FOR THE PURCHASE OF EVERY **Ramset™** PRODUCT. IF YOU DO NOT AGREE TO THIS CONDITION, YOU SHOULD NOT PURCHASE THE PRODUCT. IN NO EVENT SHALL **Ramset™** BE LIABLE FOR ANY INCIDENTAL, SPECIAL, CONSEQUENTIAL OR PUNITIVE DAMAGES, OR FOR ANY COSTS, ATTORNEY FEES, EXPENSES, LOSSES OR DELAYS ALLEGED TO BE AS A CONSEQUENCE OF ANY DAMAGE TO, FAILURE OF, OR DEFECT IN ANY PRODUCT INCLUDING, BUT NOT LIMITED TO, ANY CLAIMS FOR LOSS OF PROFITS. THIS WARRANTY IS EXCLUSIVE AND IN LIEU OF ALL OTHER WARRANTIES OR CONDITIONS, WRITTEN OR ORAL, EXPRESSED OR IMPLIED. WITHOUT LIMITING THE GENERALITY OF THE FOREGOING, **Ramset™** DISCLAIMS ANY IMPLIED WARRANTY OF MERCHANTABILITY OR FITNESS FOR A PARTICULAR USE OR PURPOSE, AND ALL OTHER WARRANTIES.

#### **Ramset™ A division of ITW Construction Systems Australia Pty Ltd**

In addition to other rights and remedies that may be available under law, our goods come with guarantees that cannot be excluded under the Australian Consumer Law. You are entitled to a replacement or refund for a major failure and for compensation for any other reasonable foreseeable loss or damage. You are also entitled to have the goods repaired or replaced if the goods fail to be of acceptable quality and the failure does not amount to a major failure.

Ramset (Aust.) Pty Limited  
ABN 48 004 297 009  
1 Ramset Drive  
Chirnside Park  
Victoria, Australia 3116

Ramset (N.Z.) Limited  
23-29 Poland Road  
Glenfield  
Auckland 0627  
New Zealand

Tel.: 1300 780 063  
Fax: 1300 780 064  
Web: [www.ramset.com.au](http://www.ramset.com.au)

Tel.: +64 9 444 3510  
Fax: +64 9 444 2864  
Web: [www.ramset.co.nz](http://www.ramset.co.nz)