

Fully Automatic

InsulFast™ T4

Owners Manual



Ramset™



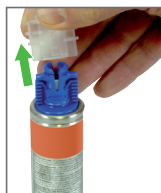
1

+120°F
+49°C

+5°F
-15°C



> 500



2



> 3000



3



4



SAFETY INTRODUCTION



DANGER



THIS TOOL IS TO BE USED ONLY BY PROPERLY TRAINED OPERATORS. ATTEMPTING TO HANDLE OR OPERATE THE T4 GAS POWERED TOOL WITHOUT PROPER TRAINING CAN RESULT IN SERIOUS INJURY TO THE OPERATOR OR BYSTANDERS.



! Read, understand and follow the instructions in the tool manual before attempting to use the tool.



**! Operators and Bystanders must wear eye and hearing protection.
Eye protection must conform to latest Z87+ standards.**



! Never close tool with hand over the fastener loading end of the tool. A serious hand injury from penetration by the piston or fastener could result.



! The gas in fuel cells is under pressure and the gas is flammable.

! Do not open, puncture or burn fuel cells.



! Store fuel cells in a well ventilated area, at temperatures below 50° C (122° F) and out of the sunlight.

! Keep fuel cells away from flames, sparks and heat.

! Do not attempt to recharge, refill or recycle fuel cells.

! Never operate the T4 tool if flammable or explosive materials are nearby.



DANGER



Just as no one can merely read a book about driving an automobile and then hope to drive one safely, no one should attempt to use T4 gas powered tools without adequate, competent personal instruction.

No automobile instruction book or instructor can forewarn a learner against all possibilities and emergencies, nor can printed material detail all possible conditions surrounding the use of Ramset tools and products.

Responsibility for the safe and proper use of this tool rests with the tool user and the employer.

 **DANGER**

SAFETY INSTRUCTIONS

PREPARATION FOR FASTENING

Acceptable Base Materials

The gas powered T4 tools are suitable for use in the following base materials only:

- Poured Concrete
- Structural Steel
- Concrete Block and Horizontal Joints in Brick or Masonry Walls

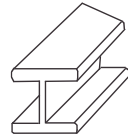
Never attempt to fasten into any other type of material. Fastening into other materials can cause blindness or other serious injury.

Never attempt to fasten into very hard or brittle materials such as cast iron, tile, glass, or rock of any type. These materials can shatter, causing the fastener and/or base material fragments to fly free and cause serious injury to the tool operator and others.

Never fasten into any base material that does not pass the Center Punch test. Failure to assure the suitability of the base material can result in serious injury to the eyes or other body parts.



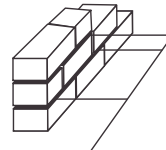
Solid Concrete and Precast Concrete



Structural Steel



Solid or Hollow Block



Horizontal Joints only in Brick Walls

Center Punch Test

ALWAYS WEAR APPROVED EYE PROTECTION WHEN PERFORMING THIS TEST.

1. Always check the material being fastened into for hardness before attempting any fastening operation.
2. Using a fastener as a center punch, strike the fastener against the work surface using an average hammer blow and check the results.

Center Punch Test Results

1. If the fastener point is flattened, the material is too hard for a powder actuated fastening.
2. If the fastener penetrates the material easily, the material is too soft.
3. If the material cracks or shatters, the material is too brittle.
4. If the fastener makes a small indentation into the material, the material is suitable for fastening.

FASTENING APPLICATIONS

Your T4 tools can be used for a wide range of fastening needs in a variety of base materials. Reading and following these important fastening guidelines will help you get the best results from your tool and fasteners, as well as help you perform these fastening operations safely and effectively.

T4 fastenings are permanent fastenings so attempting to remove a fastener from concrete or steel may result in a serious injury.

Fastening to Concrete

When fastening into concrete, always maintain a minimum spacing of 3" between fastenings and 3" from any free edge. Concrete thickness should be at least three times the intended penetration depth into the concrete.

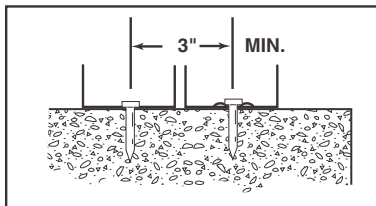
Driving fasteners too close to an edge or too close to each other can cause the concrete edge to fail or fasteners to fly free.

Fastening to Concrete Block or to Masonry Walls

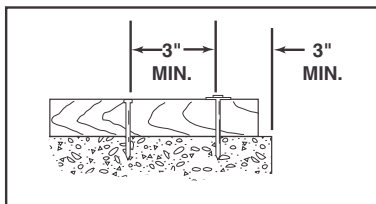
Take care to observe a 3" edge distance to avoid cracking the block and over penetration of the fastener to avoid a loss of holding value. Fastenings may also be made into the horizontal joint but not into the vertical joint.

Fastening to Steel

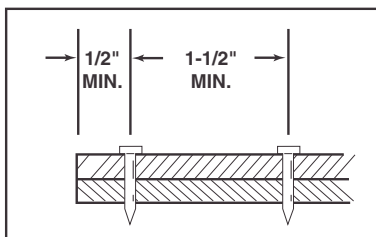
Your T4 tools can be used for fastening on the flat surfaces of structural steel. When fastening into steel, always maintain a minimum spacing of 1-1/2" between fastenings and 1/2" from any edge.



PENETRATION - THIN GAUGE METAL TO CONCRETE



SPACING - THIN WOOD STRIP TO CONCRETE



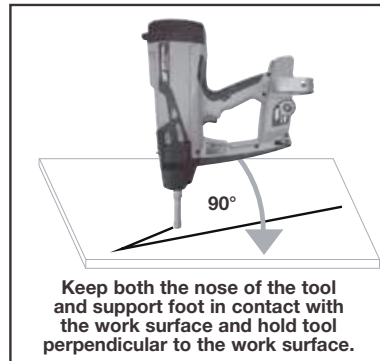
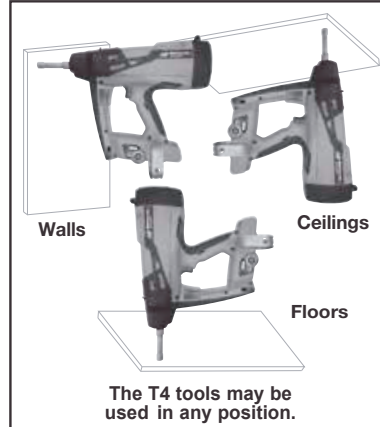
SPACING STEEL TO STEEL

 **DANGER**

SAFETY INSTRUCTIONS

FAILURE TO FOLLOW INSTRUCTIONS CAN CAUSE INJURY TO THE TOOL OPERATOR OR TO BYSTANDERS.

- Use the tool only in well ventilated areas.
- Always hold the tool at right angles to the work surface.
- Never attempt to make a fastening at an angle to the work surface.
- While the tool can be used in any position (floor, wall or ceiling) it is important to have both the nose of the tool and support foot in contact with the work surface to minimize spall and make the best quality fastenings.
- Do not put a fastener into the nose of the tool until just before you intend to make the fastening.
- Never place your hand or any other body part over the fastener loading end of the tool.
- Never carry the tool with your finger on the trigger.
- Never leave the tool unattended or allow anyone to operate it without first being trained.
- Never engage in horseplay with the tool.
- Always keep the tool pointed away from yourself or others.
- Never operate the tool if explosive or flammable materials are nearby.
- Keep the tool and supplies locked up and out of the reach of children.



Warranty

Your Ramset™ Gas Tool has a warranty against materials or workmanship for a period of 5 years from the date of purchase, providing the tool has been operated by a trained operator strictly in accordance with these instructions and Local or Government regulations, using only genuine Ramset™ fasteners, and accessories or compatible consumables. Within this 5 year period Ramset™ will repair or replace this product free of charge if it shall be found to be defective under normal use due to faulty workmanship or materials.

Claims under the guarantee may be made by delivering the product undismantled to the seller from whom it was purchased or by making a claim to such a seller in writing, in either case within 7 days of the defect becoming apparent.

In addition to other rights and remedies that may be available under law, our goods come with guarantees that cannot be excluded under the Australian Consumer Law. You are entitled to a replacement or refund for a major failure and for compensation for any other reasonable foreseeable loss or damage. You are also entitled to have the goods repaired or replaced if the goods fail to be of acceptable quality and the failure does not amount to a major failure.

Ramset™ Australia

Customer Service Centre

Tel: 1300 780 063

Web: ramset.com.au

ramsetreid™ 1 Ramset Drive, Chirnside Park, Victoria. 3116. Australia

In the interests of product improvement, ramsetreid™ reserves the right to alter product specifications as required. Information included in this product catalogue is correct at time of printing. It is the responsibility of the user to ensure product selected is appropriate for its intended use. For further technical information go to www.ramsetreid.com or contact ramsetreid™ on the numbers indicated. ITW Australia Pty. Ltd. ABN 63 004 235 063 trading as ramsetreid™ © Copyright Sept 2019 Disclaimer: The information contained in this publication is intended to give a fair description of the products and their capabilities. No responsibility or liability by the manufacturers will be accepted for misuse,



Ramset™