

Approval body for construction products
and types of construction

Bautechnisches Prüfamt

An institution established by the Federal and
Laender Governments



European Technical Assessment

ETA-18/0154
of 16 July 2021

English translation prepared by DIBt - Original version in German language

General Part

Technical Assessment Body issuing the
European Technical Assessment:

Deutsches Institut für Bautechnik

Trade name of the construction product

RAMSET Chemset™ 801 Xtrem™ /
RAMSET Chemset™ 800 Xtrem™

Product family
to which the construction product belongs

System for post-installed
rebar connection with mortar

Manufacturer

ITW Australia (Ramset)
1 Ramset Drive
Chirnside Park
VIC 3116
AUSTRALIEN

Manufacturing plant

ITW Australia

This European Technical Assessment
contains

20 pages including 3 annexes which form an integral part
of this assessment

This European Technical Assessment is
issued in accordance with Regulation (EU)
No 305/2011, on the basis of

EAD 330087-01-0601, Edition 06/2021

This version replaces

ETA-18/0154 issued on 27 February 2018

The European Technical Assessment is issued by the Technical Assessment Body in its official language. Translations of this European Technical Assessment in other languages shall fully correspond to the original issued document and shall be identified as such.

Communication of this European Technical Assessment, including transmission by electronic means, shall be in full. However, partial reproduction may only be made with the written consent of the issuing Technical Assessment Body. Any partial reproduction shall be identified as such.

This European Technical Assessment may be withdrawn by the issuing Technical Assessment Body, in particular pursuant to information by the Commission in accordance with Article 25(3) of Regulation (EU) No 305/2011.

Specific Part

1 Technical description of the product

The subject of this European Technical Assessment is the post-installed connection, by anchoring or overlap connection joint, of reinforcing bars (rebars) in existing structures made of normal weight concrete, using the injection mortar "RAMSET Chemset™ 801 Xtrem™" or "RAMSET Chemset™ 800 Xtrem™" in accordance with the regulations for reinforced concrete construction.

Ribbed reinforcing bars made of steel with a diameter ϕ from 8 to 32 mm according to Annex A and the injection mortar "RAMSET Chemset™ 801 Xtrem™" or "RAMSET Chemset™ 800 Xtrem™" are used for rebar connections. The rebar is placed into a drilled hole filled with injection mortar and is anchored via the bond between rebar, injection mortar and concrete.

The product description is given in Annex A.

2 Specification of the intended use in accordance with the applicable European assessment Document

The performances given in Section 3 are only valid if the anchor is used in compliance with the specifications and conditions given in Annex B.

The verifications and assessment methods on which this European Technical Assessment is based lead to the assumption of a working life of the rebar connections of at least 50 and/or 100 years. The indications given on the working life cannot be interpreted as a guarantee given by the producer, but are to be regarded only as a means for choosing the right products in relation to the expected economically reasonable working life of the works.

3 Performance of the product and references to the methods used for its assessment

3.1 Mechanical resistance and stability (BWR 1)

Essential characteristic	Performance
Characteristic resistance under static and quasi-static loading	See Annex C 1 to C3
Characteristic resistance under seismic loading	No performance assessed

3.2 Safety in case of fire (BWR 2)

Essential characteristic	Performance
Reaction to fire	Class A1
Resistance to fire	See Annex C 4

4 Assessment and verification of constancy of performance (AVCP) system applied, with reference to its legal base

In accordance with European Assessment Document EAD No. 330087-01-0601, the applicable European legal act is: [96/582/EC].

The system to be applied is: 1

5 Technical details necessary for the implementation of the AVCP system, as provided for in the applicable European Assessment Document

Technical details necessary for the implementation of the AVCP system are laid down in the control plan deposited with Deutsches Institut für Bautechnik.

Issued in Berlin on 16 July 2021 by Deutsches Institut für Bautechnik

Dipl.-Ing. Beatrix Wittstock
Head of Section

beglaubigt:
Baderschneider

Injection mortar

Injection mortar CHEMSET™ 800 XTREM™, CHEMSET™ 801 XTREM™ 380 ml and 750 ml:
Vinylester adhesive two components



Marking

Trade name
CHEMSET™ 800 XTREM™ (Regular Version)
CHEMSET™ 801 XTREM™ (Tropical Version)

Expire date
Curing and processing time
Charge code number

Identifying mark of the producer **Ramset**

Static mixer

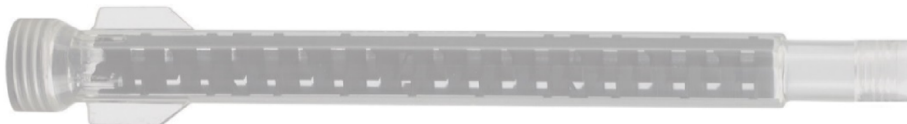
ISNP mixing nozzle



ISNE mixing nozzle



High flow mixing nozzle



RAMSET Chemset™ 801 Xtrem™ / RAMSET Chemset™ 800 Xtrem™

Product description

Injection system CHEMSET™ 801 XTREM™

Annex A1

Figure A6: Ribbed reinforcing bar (rebar):



Marking of setting depth applied on jobsite

Properties of the ribbed reinforcing bar (rebar):

- Rebar according to EN 1992-1-1:2004+AC:2010 Annex C
- Bars or de-coiled rods class B or C
- Nominal diameter ϕ : 8 to 32 mm
- Rib height h in the range of $0,05 \phi \leq h \leq 0,07 \phi$
- Yield strength f_{yk} and k according to NDP or NCL of EN 1992-1-1/NA
- Ultimate strength $f_{uk} = f_{tk} = k \cdot f_{yk}$

RAMSET Chemset™ 801 Xtrem™ / RAMSET Chemset™ 800 Xtrem™

Product description
Specification rebar

Annex A2

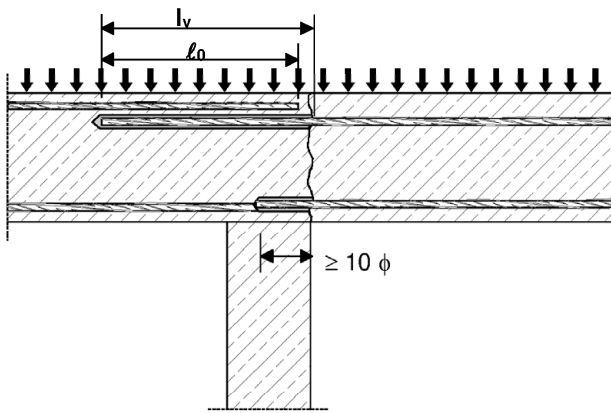


Figure A1: Overlap joint for rebar connections of slabs and beams

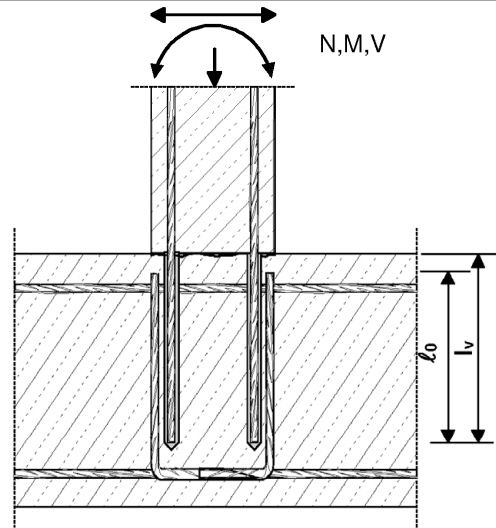


Figure A2: Overlap joint at a foundation of a column or wall where the rebar are stressed in tension

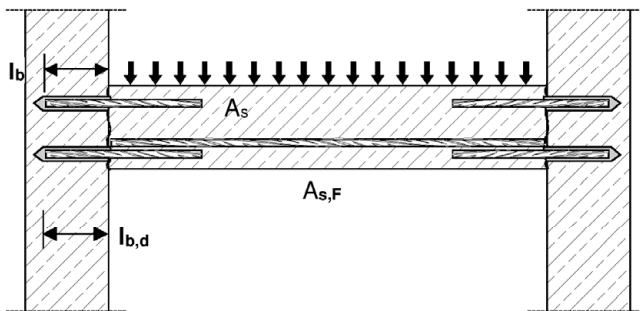


Figure A3: End anchoring of slabs or beams, designed as simply supported

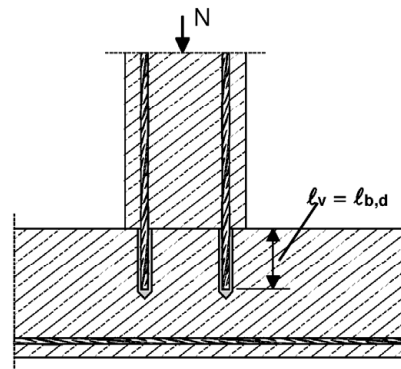


Figure A4: Rebar connection for components stressed primarily in compression. The rebar are stressed in compression

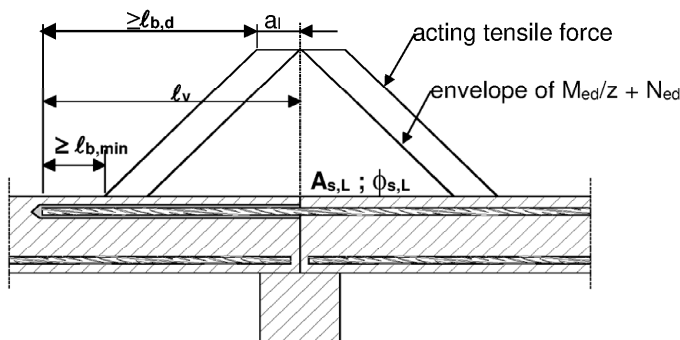


Figure A5: Anchoring of reinforcement to cover the line of acting tensile force

Note to Figure A1 to A5:

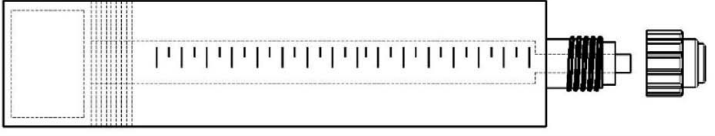
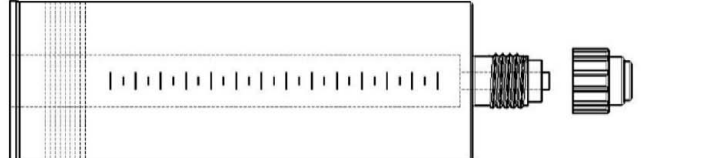
- In the Figures no transverse reinforcement is plotted, the transverse reinforcement as required by EN 1992-1-1:2004+AC:2010 shall be present.
- Preparing of joints according to Annex B2

RAMSET Chemset™ 801 Xtrem™ / RAMSET Chemset™ 800 Xtrem™

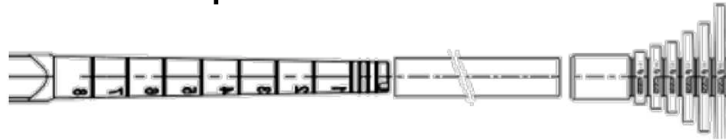
Product description
Specification rebar

Annex A3

Cartridges

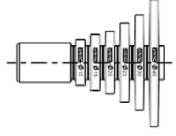
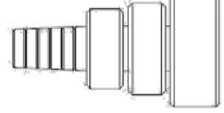
380 ml coaxiale cartridge	
750 ml coaxiale cartridge	

Injection accessories for deep hole



Plastic extension must be use for hole deeper $h_0 > 250$ mm

Piston plug for hole deeper must be use for hole deeper $h_0 > 350$ mm

Cartridge volume	Mixing Nozzle	Extension for piston plug	Piston plug
All cartridges	ISNE mixing nozzle ISNP missing nozzle	Ø13x1000	
Cartridge 750 ml	High flow mixing nozzle	Ø20x1000	

RAMSET Chemset™ 801 Xtrem™ / RAMSET Chemset™ 800 Xtrem™

Product description

Cartridges
Injection accessories for deep hole

Annex A4

Specifications of intended use

Anchorage subject to:

- Static and quasi static loading
- Fire exposure.

Base material:

- Compacted Reinforced or unreinforced normal weight concrete without fibres of strength classes C 20/25 to C50/60 according to EN 206:2013+A1:2016
- Maximum chloride content of 0,40 % (CL 0.40) related to the cement content according to EN 206:2013+A1:2016
- Non-carbonated concrete

Note: In case of a carbonated surface of the existing concrete structure the carbonated layer shall be removed in the area of the post-installed rebar connection with a diameter of $\phi + 60$ mm prior to the installation of the new rebar. The depth of concrete to be removed shall correspond to at least the minimum concrete cover in accordance with EN 1992-1-1:2004+AC:2010. The foregoing may be neglected if building components are new and not carbonated and if building components are in dry conditions.

Temperature range:

- - 40°C to +80°C: max short term temperature +80°C, max long term temperature +50°C

Design:

- Anchorages are designed under the responsibility of an engineer experienced in anchorages and concrete work.
- Verifiable calculation notes and drawings are prepared taking account of the forces to be transmitted.
- Design according to EN 1992-1-1:2004+AC:2010, EN 1992-1-2:2004+AC:2008 and Annex B 2 and B 3.
- The actual position of the reinforcement in the existing structure shall be determined on the basis of the construction documentation and taken into account when designing.

Installation:

▪ Drilling technique:

- Hammer drilling technique: all sizes
- Hammer drilling with hollow drill bit XTD: sizes ϕ 12-25
- Compressed air drilling: all sizes
- Diamond drilling technique with roughening tool: sizes ϕ 12-32

▪ Use category:

- dry or wet concrete (not in flooded holes) for Hammer drilling technique, compressed air drilling and diamond drilling technique with roughening tool
- Only dry concrete for hammer drilling with hollow drill bit XTD
- Installation direction downwards, horizontal and overhead

- The installation of post-installed rebar resp. tension anchors shall be done only by suitable trained installer and under supervision on site; the conditions under which an installer may be considered as suitable trained and the conditions for supervision on site are up to the Member States in which the installation is done.

- Check the position of the existing rebars (if the position of existing rebars is not known, it shall be determined using a rebar detector suitable for this purpose as well as on the basis of the construction documentation and then marked on the building component for the overlap joint).

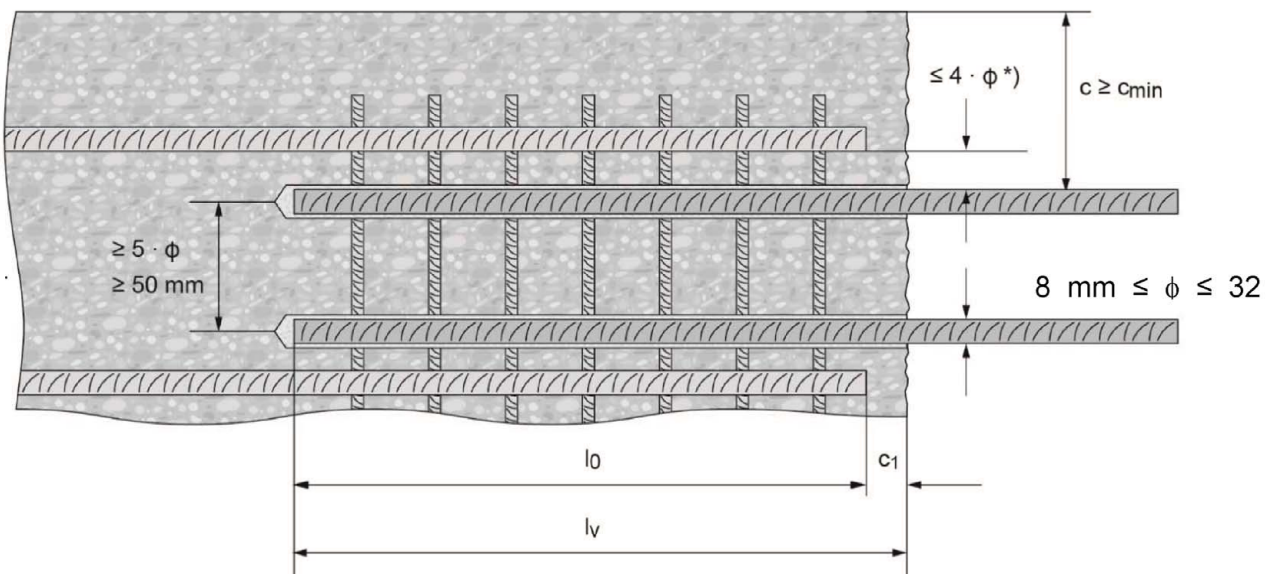
RAMSET Chemset™ 801 Xtrem™ / RAMSET Chemset™ 800 Xtrem™

Intended Use
Specifications

Annex B1

Figure B1: Construction rules for post-installed rebars

- Only tension forces in the axis of the rebar may be transmitted.
- The transfer of shear forces between new concrete and existing structure shall be designed additionally according to EN 1992-1-1:2004+AC:2010.
- The joints for concreting must be roughened to at least such an extent that aggregate protrude.



*) If the clear distance between lapped bars exceeds $4 \cdot \phi$, then the lap length shall be increased by the difference between the clear bar distance and $4 \cdot \phi$

- c : concrete cover of post-installed rebar
- c_1 : concrete cover at end-face of existing rebar
- c_{min} : minimum concrete cover according to Table B1 and to EN 1992-1-1:2004+AC:2010, Section 4.4.1.2
- ϕ : diameter of post-installed rebar
- l_0 : lap length, according to EN 1992-1-1:2004+AC:2010, Section 8.7.3
- l_v : effective embedment depth $\geq l_0 + c_1$
- d_0 nominal drill bit diameter, see Annex B3
- Minimum spacing between two post-installed bars $a = 50 \text{ mm} \geq 5\phi$

RAMSET Chemset™ 801 Xtrem™ / RAMSET Chemset™ 800 Xtrem™

Intended used

General construction rules for post-installed rebars

Annex B2

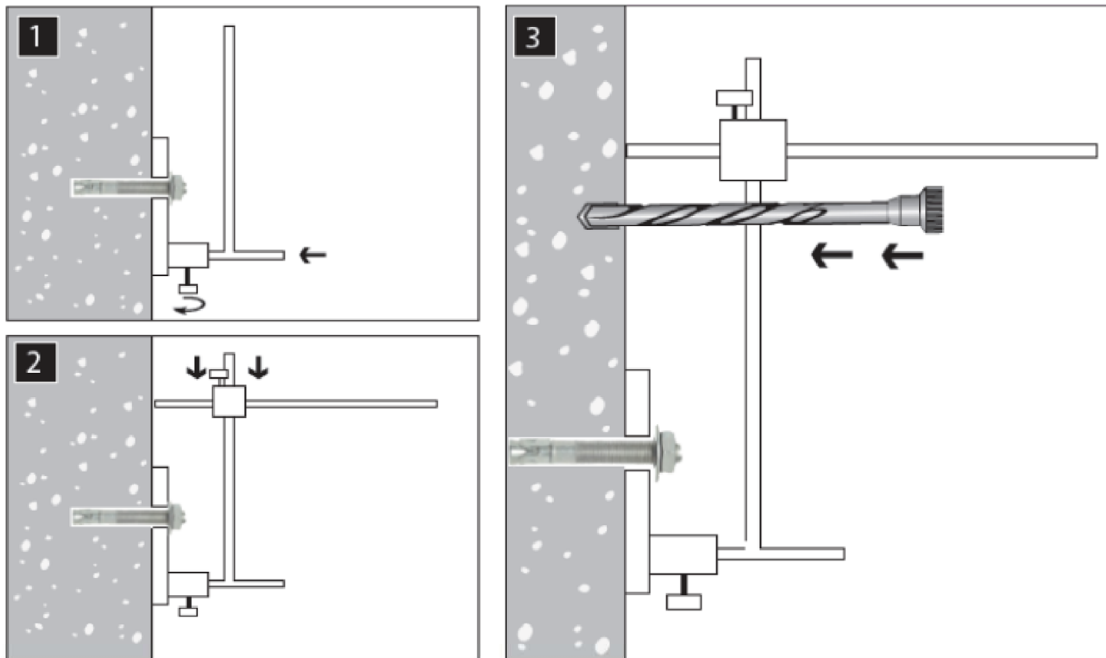
Table B1: Minimum concrete cover c_{min} ¹⁾ of post-installed rebar

Drilling method	Bar diameter ϕ	Without drilling aid	With drilling aid
Hammer drilling	< 25 mm	$30 + 0,06 l_v \geq 2\phi$	$30 + 0,02 l_v \geq 2\phi$
	≥ 25 mm	$40 + 0,06 l_v \geq 2\phi$	$40 + 0,02 l_v \geq 2\phi$
Hammer drilling with hollow drill bit XTD	< 25 mm	$30 + 0,06 l_v \geq 2\phi$	$30 + 0,02 l_v \geq 2\phi$
	≥ 25 mm	$40 + 0,06 l_v \geq 2\phi$	$40 + 0,02 l_v \geq 2\phi$
Compressed air drilling	< 25 mm	$50 + 0,08 l_v \geq 2\phi$	$50 + 0,02 l_v \geq 2\phi$
	≥ 25 mm	$60 + 0,08 l_v \geq 2\phi$	$60 + 0,02 l_v \geq 2\phi$
Diamond core drilling	< 25 mm	Drill stand is used as drilling aid	$30 + 0,02 l_v \geq 2\phi$
	≥ 25 mm		$40 + 0,02 l_v \geq 2\phi$

¹⁾ See Annex B2, Figure B1

Note: The minimum concrete cover as specified in EN 1992-1-1:2004+AC:2010 must be observed

Figure B2: Drilling aid system



RAMSET Chemset™ 801 Xtrem™ / RAMSET Chemset™ 800 Xtrem™

Intended used

Minimum concrete cover c_{min}

Annex B3

Table B2: Maximum embedment depth $l_{v,max}$ depending on bar diameter and dispenser

Rebar diameter ϕ [mm]	Maximum embedment length $l_{v,max}$ [mm]		
	Manuel Dispenser	Pneumatic Dispenser	
	380 ml 750 ml	380 ml	750 ml
8	500	600	900
10			
12			
16			
20			
25			
28			
32			

Table B3: Installation parameters

Rebar diameter ϕ [mm]	Nominal drilling diameter d_{cut} [mm]			
	Hammer drilling	Hammer drilling with hollow drill bit XTD ¹⁾	Diamond core	Diamond core and roughening drill bit
8	10	-	-	-
10	12	-	-	-
12	15	16	16	-
16	20	20	-	20
20	25	25	-	25
25	30	30	-	30
28	35	-	-	35
32	40	-	-	40

¹⁾ Maximum working length: 600 mm

RAMSET Chemset™ 801 Xtrem™ / RAMSET Chemset™ 800 Xtrem™

Intended used

Maximum embedment depth $l_{v,max}$

Installation parameters


Annex B4

Table B4: Parameters for use of Roughening tool

Diamond coring d_{cut} [mm]	Roughening tool ¹⁾ d_{cut} [mm]
20	20
25	25
30	30
35	35
40	40

¹⁾ For checking the wear of roughening drill bit, a wear gauge is delivered with each roughening tool

Table B5: Dimensions of the cleaning tools for reinforcing bars (rebars)

Dimensions	Nominal diameter of the reinforcing bars (rebars)								
	$\phi 8$	$\phi 10$	$\phi 12$	$\phi 14$	$\phi 16$	$\phi 20$	$\phi 25$	$\phi 28$	$\phi 32$
\emptyset Brush [mm] ¹⁾ 	11	13	16	20	22	26	32	37	42
\emptyset Plastic extension for compress air	6	9	9	13	13	13	13/20	13/20	13/20

¹⁾ The diameter of the round steel brush shall be checked before use. The minimum brush diameter has to be at least equal to the borehole diameter d_0 . The round steel brush shall produce natural resistance as it enters the drill hole. If this is not the case, please use a new brush or a brush with a larger diameter.

RAMSET Chemset™ 801 Xtrem™ / RAMSET Chemset™ 800 Xtrem™

Intended used

Parameters for using of roughening drill bit
Dimensions of cleaning tools

Annex B5

Table B6: Gel time and curing time for Regular Version

Temperature of base material	Working time	Curing time ¹⁾
-10°C to -5°C	90 min	24 h
-4°C to 0°C	50 min	240 min
1°C to 5°C	25 min	120 min
6°C to 10°C	15 min	90 min
11°C to 20°C	7 min	60 min
21°C to 30°C	4 min	45 min
31°C to 40°C	2 min	30 min

¹⁾ For wet concrete the curing time must be doubled

Table B7: Gel time and curing time for Tropical Version:

Temperature of base material	Working time	Curing time ¹⁾
+ 5°C	60 min	240 min
6°C to 10°C	40 min	180 min
11°C to 20°C	15 min	120 min
21°C to 30°C	8 min	60 min
31°C to 40°C	4 min	60 min

¹⁾ For wet concrete the curing time must be doubled




RAMSET Chemset™ 801 Xtrem™ / RAMSET Chemset™ 800 Xtrem™

Product description

Minimum curing time and maximum working time

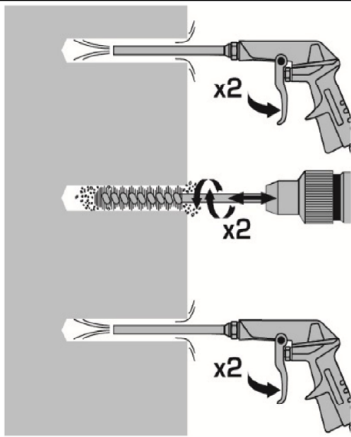
Annex B6

Drilling the hole:

	<p>Rotary hammer drilling or compressed air drilling</p>
	<p>Electrical hammer drilling with XTD hollow drill bit used in relation with the Ramset vacuum. This drilling technique allows for cleaning the hole from the dust debris while operating drilling. No further cleaning is then required before injecting resin.</p>
	<p>Diamond core drilling The roughening tool must be used for core diameter higher than 20 mm.</p>

Cleaning the hole:

Hammer drilling technique

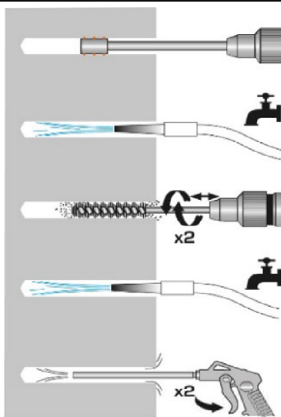


1. Using compress air cleaning (min 6 bars), use the appropriate extension, starting from the top of the hole blow out at least 2 times by moving downward to the bottom of the hole then moving upward to the top of the hole and until no dust is evacuated. (not less than 10s per each blowing).
2. Using the relevant brush and extension fitted on a Ramset drilling machine, starting from the top of the hole, move downward to the bottom of the hole then move upward to the top of the hole. Repeat this operation.
3. Using compress air cleaning (min 6 bars), use the appropriate extension, starting from the top of the hole blow out at least 2 times by moving downward to the bottom of the hole then moving upward to the top of the hole and until no dust is evacuated. (not less than 10s per each blowing).

Hammer drilling technique

Electrical hammer drilling with XTD hollow drill bit used in relation with the Ramset vacuum. This drilling technique allows for cleaning the hole from the dust debris while operating drilling. No further cleaning is then required before injecting resin.

Diamond core drilling technique



1. For core diameter higher than 20 mm, remove water in the hole and use the roughening drill bit before applying cleaning procedure
2. Clean the hole with tap water.
3. Using the relevant brush and extension fitted on a Ramset drilling machine, starting from the top of the hole, move downward to the bottom of the hole then move upward to the top of the hole. Repeat this operation.
4. Clean the hole with tap water
5. Using compress air cleaning (mini 6 bars), use the appropriate extension, starting from the top of the hole blow out at least 2 times by moving downward to the bottom of the hole then moving upward to the top of the hole and until no dust is evacuated. (not less than 10s per each blowing).

RAMSET Chemset™ 801 Xtrem™ / RAMSET Chemset™ 800 Xtrem™

Product description
Installation instruction

Annex B7

Safety precaution:

The safety data sheet must be read before using the product and the safety instructions followed.

- Storage temperature of cartridge +0°C to +35 °C
- Cartridge temperature at time of installation: Must be $\geq +5^\circ\text{C}$
- Base material temperature at time of installation: Must be between -10°C and $+40^\circ\text{C}$
- Check the date of expiry of the cartridge

Dispensing into the hole:

	<ol style="list-style-type: none"> 1. Put the anchorage depth mark on the rebar 2. Check the anchorage depth 3. Cut the piston plug at the relevant diameter. The volume of resin that need to be injected in the hole must be indicated on the mixing nozzle or its extension. The marking must be placed at 0.5 time the anchorage depth 4. Dispense the first part to waste until an even colour is achieved ($\approx 20\text{cm}$). Insert the nozzle to the far end of the hole, and inject the resin, withdrawing the nozzle as the hole fills in order to avoid trapping air bubbles. Fill the hole until the mark appear. For pneumatic dispenser with 380 ml cartridge, the maximum pressure is 6 bars.
--	--

Inserting the rebar:

	<ol style="list-style-type: none"> 1. Immediately insert the rebar, slowly and with a slight twisting motion. Remove excess resin from around the mouth of the hole before it sets. Control the embedment depth during the working time (See Annex B6 Table B6 or B7) which varies according to temperature of base material. 2. Leave the rebar undisturbed until the curing time has elapsed. (See Annex B6 Table B6 or B7)
--	---

<p>RAMSET Chemset™ 801 Xtrem™ / RAMSET Chemset™ 800 Xtrem™</p>	<p>Annex B8</p>
<p>Product description Installation instruction</p>	

Minimum anchorage length and minimum lap length

The minimum anchorage length $l_{b,min}$ and the minimum lap length $l_{0,min}$ according to EN 1992-1-1:2004+AC:2010 shall be multiplied by the relevant amplification factor $\alpha_{lb} = \alpha_{lb,100y}$ given in Table C1.

Table C1: Amplification factor $\alpha_{lb} = \alpha_{lb,100y}$ related to concrete strength class for Hammer drilling and compressed air drilling with a working life of 50 or 100 years

Rebar diameter	Amplification factor $\alpha_{lb} = \alpha_{lb,100y}$ [-]								
	Concrete strength class								
	C12/15	C16/20	C20/25	C25/30	C30/37	C35/45	C40/50	C45/55	C50/60
$\phi 8$	1,0								
$\phi 10$	1,0								
$\phi 12$	1,0								
$\phi 14$	1,0							1,1	
$\phi 16$	1,0						1,1		
$\phi 20$	1,0						1,1	1,2	1,2
$\phi 25$	1,0			1,1			1,2	1,3	1,3
$\phi 28$	1,0			1,1			1,2	1,3	1,4
$\phi 32$	1,0			1,2			1,3	1,4	1,5

Table C2: Bond efficiency factor $k_b = k_{b,100y}$ for Hammer drilling and compressed air drilling with a working life of 50 or 100 years.

Rebar diameter	Bond efficiency factor $k_b = k_{b,100y}$ [-]								
	Concrete strength class								
	C12/15	C16/20	C20/25	C25/30	C30/37	C35/45	C40/50	C45/55	C50/60
$\phi 8 - \phi 32$	1,0	1,0	1,0	1,0	1,0	1,0	1,0	1,0	1,0

Table C3: Design values of the bond strength $f_{bd,PIR} = f_{bd,PIR,100y}$ in N/mm² for Hammer drilling and compressed air drilling with a working life of 50 or 100 years

$$f_{bd,PIR} = k_b \cdot f_{bd}$$

$$f_{bd,PIR,100y} = k_{b,100y} \cdot f_{bd}$$

f_{bd} : Design value of the bond strength in N/mm² considering the concrete strength classes and the rebar diameter for good bond condition (for all other bond conditions multiply the values by $\eta_1 = 0,7$) and recommended partial factor $\gamma_c = 1,5$ according to EN 1992-1-1:2004+AC:2010

k_b and $k_{b,100y}$: Bond efficiency factor according to Table C2

Rebar diameter	Bond strength $f_{bd,PIR} = f_{bd,PIR,100y}$ [N/mm ²]								
	Concrete strength class								
	C12/15	C16/20	C20/25	C25/30	C30/37	C35/45	C40/50	C45/55	C50/60
$\phi 8 - \phi 32$	1,6	2,0	2,3	2,7	3,0	3,4	3,7	4,0	4,3

RAMSET Chemset™ 801 Xtrem™ / RAMSET Chemset™ 800 Xtrem™

Performance

Minimum anchor length and minimum lap length, amplification factor, bond efficiency factor and design value of bond strength

Annex C1

Minimum anchorage length and minimum lap length

The minimum anchorage length $l_{b,min}$ and the minimum lap length $l_{0,min}$ according to EN 1992-1-1:2004+AC:2010 shall be multiplied by the relevant amplification factor α_{lb} given in Table C4.

Table C4: Amplification factor α_{lb} for Hammer drilling with XTD hollow drill bit with a working life of 50 years

Rebar diameter	Amplification factor α_{lb} [-]								
	Concrete strength class								
	C12/15	C16/20	C20/25	C25/30	C30/37	C35/45	C40/50	C45/55	C50/60
$\phi 12-\phi 25$	1,5								

Table C5: Bond efficiency value k_b for Hammer drilling with XTD hollow drill bit with a working life of 50 years

Rebar diameter	Bond efficiency factor k_b [-]								
	Concrete strength class								
	C12/15	C16/20	C20/25	C25/30	C30/37	C35/45	C40/50	C45/55	C50/60
$\phi 12-\phi 25$	1,0								

Table C6: Design values of the bond strength $f_{bd,PIR}$ in N/mm² for Hammer drilling with XTD hollow drill bit with a working life of 50 years

$$f_{bd,PIR} = k_b \cdot f_{bd}$$

f_{bd} : Design value of the bond strength in N/mm² considering the concrete strength classes and the rebar diameter for good bond condition (for all other bond conditions multiply the values by $\eta_1 = 0,7$) and recommended partial factor $\gamma_c = 1,5$ according to EN 1992-1-1:2004+AC:2010

k_b : Bond efficiency factor according to Table C5

Rebar diameter	Bond strength $f_{bd,PIR}$ [N/mm ²]								
	Concrete strength class								
	C12/15	C16/20	C20/25	C25/30	C30/37	C35/45	C40/50	C45/55	C50/60
$\phi 12-\phi 25$	1,6	2,0	2,3	2,7	3,0	3,4	3,7	4,0	4,3

RAMSET Chemset™ 801 Xtrem™ / RAMSET Chemset™ 800 Xtrem™

Performance

Minimum anchor length and minimum lap length, amplification factor, bond efficiency factor and design value of bond strength

Annex C2

Minimum anchorage length and minimum lap length

The minimum anchorage length $l_{b,min}$ and the minimum lap length $l_{0,min}$ according to EN 1992-1-1:2004+AC:2010 shall be multiplied by the relevant amplification factor α_{lb} given in Table C7.

Table C7: Amplification factor α_{lb} for Diamond drilling with a working life of 50 years

Rebar diameter	Amplification factor α_{lb} [-]								
	Concrete strength class								
	C12/15	C16/20	C20/25	C25/30	C30/37	C35/45	C40/50	C45/55	C50/60
$\phi 12$	1,0							1,1	1,2
$\phi 14$									
$\phi 16$									
$\phi 20$								1,1	
$\phi 25$									
$\phi 28$								1,0	
$\phi 32$	1,0								

Table C8: Bond efficiency value k_b for Diamond drilling with a working life of 50 years

Rebar diameter	Bond efficiency factor k_b [-]								
	Concrete strength class								
	C12/15	C16/20	C20/25	C25/30	C30/37	C35/45	C40/50	C45/55	C50/60
$\phi 12$ - $\phi 20$	1,0								
$\phi 25$	1,0							0,9	0,9
$\phi 28$	1,0							0,9	0,9
$\phi 32$	1,0						0,9	0,8	0,9

**Table C9: Design values of the bond strength $f_{bd,PIR}$ in N/mm² for Diamond drilling
With a working life of 50 years**

$$f_{bd,PIR} = k_b \cdot f_{bd}$$

f_{bd} : Design value of the bond strength in N/mm² considering the concrete strength classes and the rebar diameter for good bond condition (for all other bond conditions multiply the values by $\eta_1 = 0,7$) and recommended partial factor $\gamma_c = 1,5$ according to EN 1992-1-1:2004+AC:2010

k_b : Bond efficiency factor according to Table C8.

Rebar diameter	Bond strength $f_{bd,PIR}$ [N/mm ²]								
	Concrete strength class								
	C12/15	C16/20	C20/25	C25/30	C30/37	C35/45	C40/50	C45/55	C50/60
$\phi 12$ - $\phi 20$	1,6	2,0	2,3	2,7	3,0	3,4	3,7	4,0	4,3
$\phi 25$								4,0	
$\phi 28$								3,7	4,0
$\phi 32$								3,4	3,4

RAMSET Chemset™ 801 Xtrem™ / RAMSET Chemset™ 800 Xtrem™

Performance

Minimum anchor length and minimum lap length, amplification factor, bond efficiency factor and design value of bond strength

Annex C3

Bond strength $f_{bd,fi} = f_{bd,fi,100y}$ at increased temperature for concrete strength classes C12/15 to C50/60

The bond strength $f_{bd,fi} = f_{bd,fi,100y}$ at increased temperature has to be calculated by the following equation:

$$f_{bd,fi} = f_{bd,fi,100y} = k_{fi}(\theta) \cdot f_{bd,PIR} \cdot \gamma_c / \gamma_{M,fi}$$

where

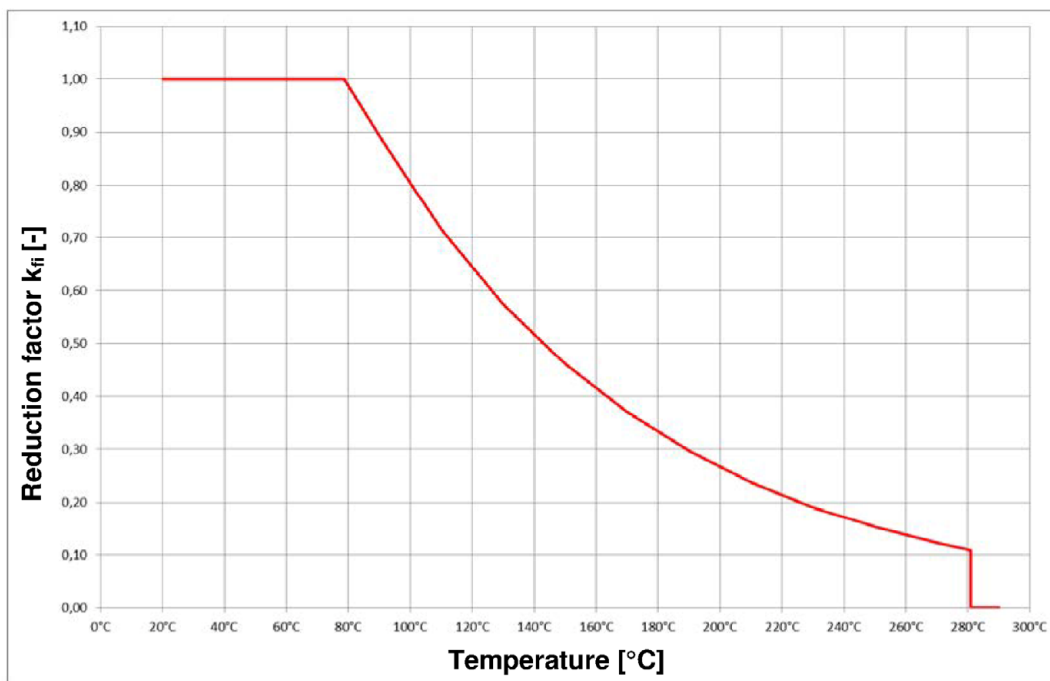
$$\theta < 281 \text{ °C: } k_{fi}(\theta) = \min \{1, 0; 23,755 e^{-0,011 \cdot \theta} / (f_{bd,PIR} \cdot 4,3)\}$$

$$\theta > 281 \text{ °C: } k_{fi}(\theta) = 0$$

$f_{bd,fi}$	Bond strength at increased temperature in N/mm ² for a working life of 50 years (all drilling methods)
$f_{bd,fi,100y}$	Bond strength at increased temperature in N/mm ² for a working life of 100 years (Hammer and compressed air drilling)
(θ)	Temperature in °C in the mortar layer
$k_{fi}(\theta) =$	Reduction factor at increased temperature
$k_{fi,100y}(\theta)$	
$f_{bd,PIR}$	Design values of the bonds strength in N/mm ² according to Tables C3, C6 and C9 considering the concrete classes, the rebar diameter, the drilling method and the bond condition according to EN 1992-1-1:2004+AC:2010
γ_c	Partial factor according to EN 1992-1-1:2004+AC:2010
$\gamma_{M,fi}$	Partial factor according to EN 1992-1-2:2004+AC:2010

For evidence at increased temperature the anchorage length shall be calculated according to EN 1992-1-1:204+AC:2010, Equation 8.3 using the temperature-dependent bond strength $f_{bd,fi}$.

Figure C1: Example graph of reduction factor $k_b(\theta)$ for concrete strength class C20/25 for good bond conditions



RAMSET Chemset™ 801 Xtrem™ / RAMSET Chemset™ 800 Xtrem™

Performance

Bond strength at increased temperature

Annex C4