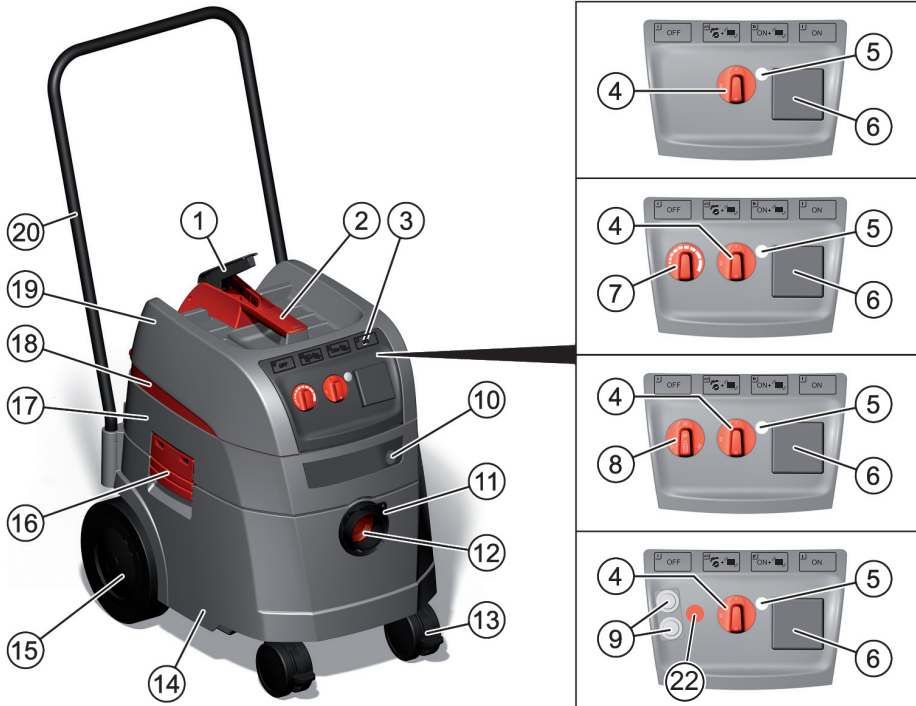


1600W **M CLASS** Wet/Dry **Vacuum Cleaner**

Owners **Manual**

 **Ramset™**



EN Description			
① Cover handle	⑦ Speed control *	Ⓜ Steering roller	Ⓢ Cover
② Handle	⑧ Adjustment of the vacuum hose diameter *	Ⓨ Container	Ⓣ Driving handle *
③ Switch plate *	⑨ Compressed air connection *	Ⓩ Wheel	Ⓤ see item ⑦*/⑧*
④ Rotary switch *	⑩ Latch	ⓐ Lock	* depending on the equipment variant
⑤ Fill level indicator *	⑪ Vacuum spigot	ⓑ Motor housing	
⑥ Plug socket *	Ⓥ Rotary slider *	ⓓ Support plate	

TECHNIAL DATA

Rated power	1400	W
Max. power	1600	W
Voltage	220 / 240	V~
Current	6,5	A
Frequency	50 / 60	Hz
Air flow at the fan	75	l / s
Negative pressure at the fan	280	hPa / Mg
Dimensions (L x H x B)	530 x 560 x 400	mm
Cable	8	m
Connection line on vacuum cleaners with plug socket	H05RRR-F 3 x 1,5	
Noise level	69,0	dB(A)
Weight	15.5	Kg

Tests and approvals

Electro-technical tests must be carried out in accordance with the accident prevention regulations (BGV A3) and in accordance with DIN VDE 0701 Part 1 and Part 3. These tests are required in accordance with DIN VDE 0702 at regular intervals and after repair or modification.

A dust-technical check must be carried out at least once a year by the manufacturer or a trained person, e. g. for damage to the filter, dust-tightness of the vacuum cleaner, function of the monitoring equipment.

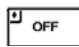
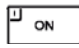


The vacuum cleaner is successfully tested in accordance with IEC/EN 60335-2-69.

BEFORE USE

When unpacking, check that the delivery is complete and that there is no transport damage. Before using, the operators should be provided with information, instructions and training for the use of the vacuum cleaner and the substances that it is to be used for, including the safe procedure for the removal of the gathered material.

INDICATOR AND OPERATING ELEMENTS

Select from the following functions and settings:

0		Vacuum cleaner is switched off	- Plug socket current-conducting
I		Vacuum cleaner is running	- Plug socket current-conducting - Automatic shaker function off
A		Ready for operation	- Plug socket current-conducting - Automatic shaker function off
AC		Ready for operation Automatic shaker function	- Plug socket current-conducting - Automatic shaker function on - The vacuum cleaner is switched on and off via the connected electrical/compressed air tool* at the plug socket.
		Automatic shaker function	- Automatic shaker function on; 2min
		Fill level indicator * ⑥	- When the container is full and/or there is a blockage in the suction hose, the full indicator lights up. An acoustic signal is also emitted.
		Speed regulation * ⑦	- The suction performance can be regulated using the speed regulator.
		Setting the suction hose diameter * ⑧	- Determine the maximum negative pressure for automatic shaking.

(*depending on the equipment variant of your vacuum cleaner)

COMMISSIONING

Switching on and off

CAUTION: Electric tools and compressed air tools must be switched off when they are connected.

The plug socket on the vacuum cleaner will always be live when the mains plug is plugged in, irrespectively of the position of the switch.

NOTE: If the switch is in the >0< position, the plug socket on the vacuum cleaner can be use as an extension lead.

Connection value: Vacuum cleaner + connected unit, maximum 16 A.

Insert the plug into socket

0	Vacuum cleaner is switched off
I	Vacuum cleaner switched on without shaker function
A	Vacuum cleaner on standby Vacuum cleaner switched on without shaker function Ready mode for ON/OFF automatic mode. (Suction unit is switched ON/OFF by the electrical tool)
AC	Vacuum cleaner on standby Ready mode like "A" plus automatic filter cleaning. The vacuum cleaner only switches on when the tool is switched on. After the tool is switched off, the vacuum cleaner runs on for approx. 10 sec to prevent any residue from collecting in the hose.

Set the vacuum cleaner to the switch position >0<.

Pull out the plug after you have finished.

Fix the suction hose in the accessory storage location* on the back of the container for storage.

The ends of the hose can be pushed into each other to prevent particles of dirt from coming out.

CAUTION: Selector switch for minimum material flow (horn and light) on vacuum cleaners classes "M" and "H"

In the modes >AC< and >A< the following setting is made, depending on the diameter of the hose:

Inside diameter of the hose	Switch position
Ø 35 mm	70 m³/h
Ø 27 mm	40 m³/h
Ø 21 mm	20 m³/h

No speed regulation is carried out. The vacuum cleaner always runs at max. speed.

OPERATING MODES

When using the grip handle you can adapt the suction performance by using the slider to control access of air into the hose.

Dry vacuum cleaning

You should only use the vacuum cleaner with a dry filter and appropriate accessories to prevent dust from accumulating and forming encrustations.

When using the vacuum cleaner to remove soot, cement, plaster, flour or similar dust we recommend using paper filter bags. Always use filter bags in combination with folding filter cassettes.

Wet vacuum cleaning

CAUTION: Switch the vacuum cleaner off immediately if foam or liquid starts to come out. Empty the container and, if necessary, the folding filter cassette.

NOTE: Clean the water level sensors regularly and examine for signs of damage.

Vacuum cleaning without paper filter bags.

The folding filter cassettes are designed for wet vacuum cleaning.

The fitted sensor switches the motor off when the container is full.

The handling of the vacuum cleaner can be compromised by a full container.

Empty the vacuum cleaner.

CAUTION: If the vacuum cleaner is not switched off, the re-start protection unit remains operative. Only after switching off and re-starting is the vacuum cleaner ready for use again.

Remove the suction hose from the liquid before emptying.

After switching off, a small quantity of water can flow back out of the hose, as a result of the high suction level and the favourable flow condition in the container.

If you use it as a dry vacuum cleaner, you must insert dry filters.

NOTE: If you change between dry and wet vacuum cleaning frequently, we recommend using a second set of filters, preferably polyester folding filter cassettes.

PERMANENT FILTER CLEANING

The vacuum cleaner is fitted with an electromagnetic filter cleaning unit which can be used to shake the dust off the folding filter cassettes.
The folding filter cassettes are cleaned alternately so that continuous working can be guaranteed

EMPTYING THE CONTAINER

NOTE: Only permitted for dust with AGW's > 1 mg/m³

1. Switch the vacuum cleaner off, pull the mains plug out.
2. Open the latches.
3. Remove the cover and suction hose from the container.
4. Empty the container by pouring out.

Dispose of the fleece filter bag

1. Pull the mains plug out.
2. Fit mouth protection.
3. Remove suction hose, close off the suction spigot with the rubber cover.
4. Open the side latches, remove the top section.
5. Carefully pull the flange off the suction spigot and close off the flange.
6. Dispose of the vacuumed up material in accordance with legal requirements.

Dispose of the PE emptying and disposal bag

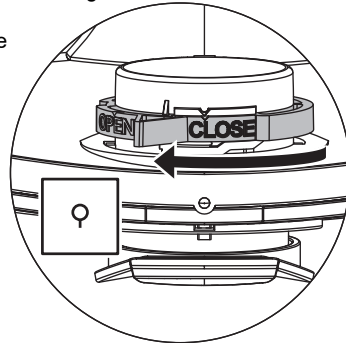
1. PE emptying and disposal bag: Switch the vacuum cleaner on, shake the folding filter cassettes. Switch off the vacuum cleaner.
2. Fit mouth protection.
3. Remove suction hose, close off the suction spigot with the rubber cover.
4. Open the side latches, remove the top section.
5. Before setting aside the top section, switch to >IR< position, to draw up floating dust which may exist.
6. Close off the PE emptying and disposal bag carefully with the tape provided.
7. Carefully pull the flange off the suction spigot and close it off.
8. Remove the PE emptying and disposal bag carefully from the container.
9. Dispose of the vacuumed up material in accordance with legal requirements.

Insert fleece filter bag

NOTE: Only use paper filter bags for dry vacuum cleaning

- Slide the flange completely over the intake socket.

NOTE: Turn the RED rotary slide inside to position CLOSE to the stop on the marker ▲

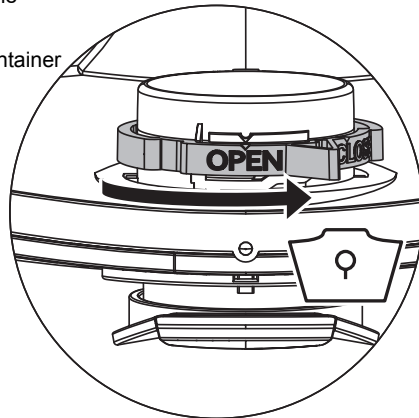


Insert PE emptying and disposal bag

NOTE: Only the vacuum cleaners class **M** with special containers and rotary slider in the suction aperture are suitable for the use of PE Emptying and disposal bags.

NOTE: Turn the RED rotary slide inside to the position OPEN to the stop on the marker ▲

- Slide the flange completely over the intake socket.
- Place the upper section on the container rim and close the side latches.



CHANGING THE FILTER

Changing the folding filter

- Shake the folding filter cassettes before changing them.
- Turn the lock on the latch through 90° in a counter-clockwise direction with a coin or similar object and push the latch to the rear.
- Fold the hood up.
- Immediately isolate the folding filter cassettes that you have removed in a dust-tight plastic bag and dispose of properly in accordance with the stipulations.
- Insert new folding filter cassettes.
- Lift the locking bracket up, fold the hood down and click in place with light pressure.

Changing the motor protection filter

NOTE: If the motor protection filter is contaminated this indicates defective filter cassettes.

Replacing the folding filter cassettes.

Replace the motor protection filter or wash the motor protection filter under flowing water, dry and re-insert.

MAINTENANCE

NOTE: Switch the vacuum cleaner off and pull out the mains plug before any maintenance work.

For maintenance by the user, the vacuum cleaner must be

- dismantled,
- cleaned and
- maintained,

as far as possible without creating any danger to the maintenance personnel or other.

Precautionary measures

Suitable precautionary measures include

- Cleaning before dismantling,
- Provide local filtered positive ventilation where the vacuum cleaner is to be dismantled,
- Clean the maintenance area and
- suitable personal protection equipment.

Precautionary measures with vacuum cleaners class H and M

The outside of the vacuum cleaner should be cleaned and wiped down or should be treated with a sealing agent before being removed from the dangerous area. All parts of the vacuum cleaner must be considered to be contaminated when they are removed from the danger area and suitable handling must be used to prevent dust distribution.

Contaminated items

When carrying out maintenance or repair work, all contaminated items which have not been adequately cleaned must be disposed of. Such items must be disposed of in impermeable bags in accordance with the applicable regulations concerning the disposal of such waste.

Technical testing

A technical examination must be carried out at least once a year by a trained person: check the filter for damage, ensure that the vacuum cleaner is air-tight and check that the monitoring equipment functions correctly.

Testing the effectiveness of the vacuum cleaner

There must be an adequate air exchange rate L in the room if the exhaust air returns to the room. Further information can be taken from your national regulations.

If the suction of the vacuum cleaner reduces and the cleaning procedure of the folding filter cassettes increases, the suction performance is not adequate (provided that the container is empty and the paper filter bag has been replaced) then it is necessary to replace the folding filter cassettes.

CLEANING

- NOTE: Acids, alkalis and solvents can corrode the vacuum cleaner parts.
- Clean the container and accessories with water.
- Wipe the top section with a damp cloth.
- Allow the container and accessories to dry

REPAIR

DANGER: Inappropriately repaired vacuum cleaners present a danger to the operator. Have repairs carried out by The Ramset National Service Centre using only genuine spare parts.

TRANSPORT

- Insert the closing plug of the vacuum cleaner into the suction aperture.
- The motor head must be securely fixed to the container (close the latches).
- Place the accessories in a suitable plastic bag and seal the plastic bag or place it in the tool storage compartment.
- Plug the ends of the suction hose into each other.
- Place the hose around the vacuum cleaner and clamp onto the handle.

FIRST AID IN THE EVENT OF A FAULT

Fault	Possible cause	Remedy
Reduction in suction	Filter contaminated Paper filter full Container full Nozzle, pipes or hose blocked	Clean. Change. Empty. Clean.
Vacuum cleaner will not start	Mains plug plugged in? Mains power missing? Mains cable OK? Cover closed properly? Water sensor switched off? Vacuum cleaner in readiness for operation >AC<?	Set to >I< or >A< .
The vacuum cleaner does not start when the tool is switched on in the >AC< mode	Is the mains plug of the unit in the plug socket?	Put the mains plug in the vacuum cleaner plug socket
	Solenoid valve of compressed air automatic switch-on contaminated?	Flush the compressed air automatic switch-on with alcohol
PE emptying and disposal bag is sucked against the filter	Position of rotary slider incorrect	Set rotary slider to be changed to position. "Open or Closed"
Vacuum cleaner classes M: with inserted paper filter dust in filter	Position of rotary slider incorrect	Set rotary slider to be changed to position. "Open or Closed"

Do not take any other action and contact The Ramset National Service Centre.



Warranty

This Ramset™ tool is warranted to the original purchaser only to be free from defects in material and workmanship. Subject to certain exceptions Ramset™ will repair replace any part of the tool which, after examination, is determined by Ramset™ to be defective in material or workmanship for a period of two (2) years* after the date of purchase.

Return the tool and a copy of proof of purchase to the Ramset™ National Service Centre, freight prepaid and insured, as requested for this warranty to be effective. This warranty does not apply to damage that Ramset™ determines to be from repairs made or attempted by anyone other than Ramset™ authorized personnel, misuse, alterations, abuse, normal wear and tear, lack of maintenance, or accidents.

*Statutory rights for goods and purchases as a customer.

Australia

In addition to other rights and remedies that may be available under law, our goods come with guarantees that cannot be excluded under the Australian Consumer Law. You are entitled to a replacement or refund for a major failure and for compensation for any other reasonable foreseeable loss or damage. You are also entitled to have the goods repaired or replaced if the goods fail to be of acceptable quality and the failure does not amount to a major failure.

New Zealand

This warranty is supplemental to any other rights and remedies you have under the Consumer Guarantees Act 1993 NZ, unless your purchase is made for commercial purposes, in which case Ramset™ excludes all consumer guarantees implied in the Consumer Guarantees Act 1993 NZ in respect of your product.

Acceptance of the exclusive repair and replacement remedies described herein is a condition of the contract for the purchase of every Ramset™ product. If you do not agree to this condition, you should not purchase the product. In no event shall Ramset™ be liable for any incidental, special, consequential or punitive damages, or for any costs, attorney fees, expenses, losses or delays alleged to be as a consequence of any damage to, failure of, or defect in any product including, but not limited to, any claims for loss of profits.

This warranty is exclusive and in lieu of all other warranties or conditions, written or oral, expressed or implied. Without limiting the generality of the foregoing, Ramset™ disclaims any implied warranty of merchantability or fitness for a particular use or purpose, and all other warranties.

Article Number : 791531 07/2018 V00

customer service

Ramset™ Australia

Customer Service Centre

Tel: 1300 780 063

Web ramset.com.au

Ramset™ New Zealand

Customer Service Centre

Tel: 0800 RAMSET (726738)

Web: ramset.co.nz



Ramset™